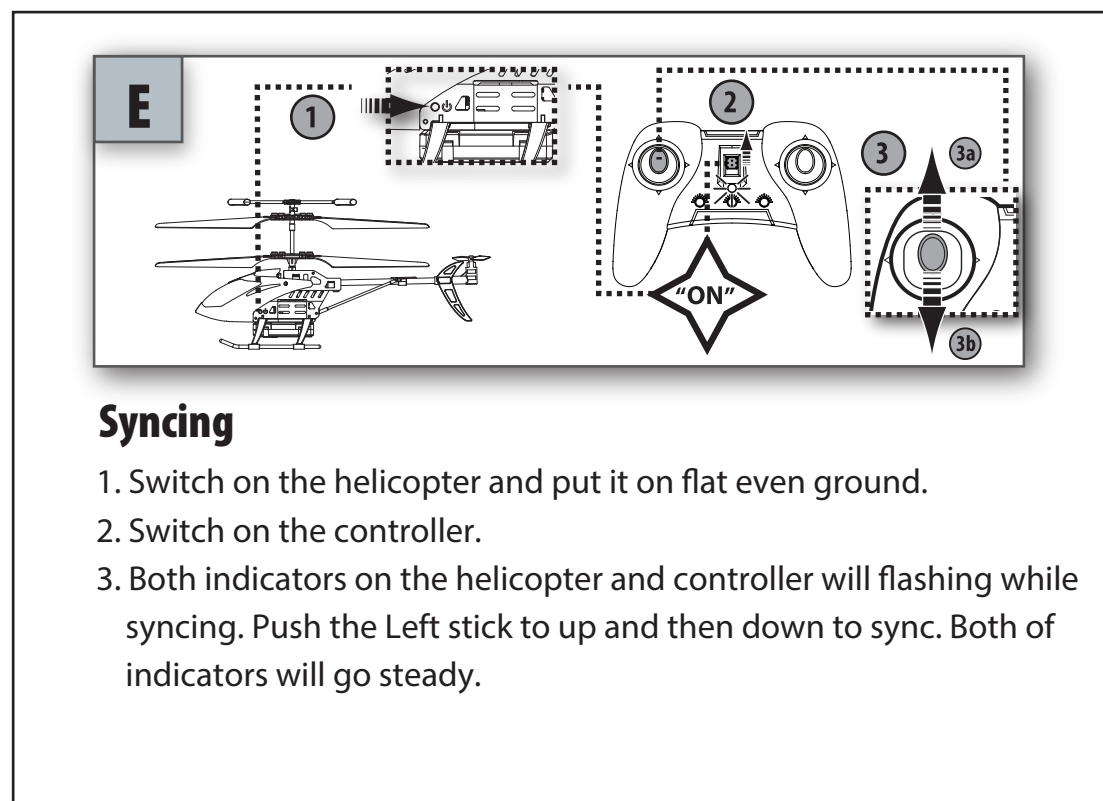
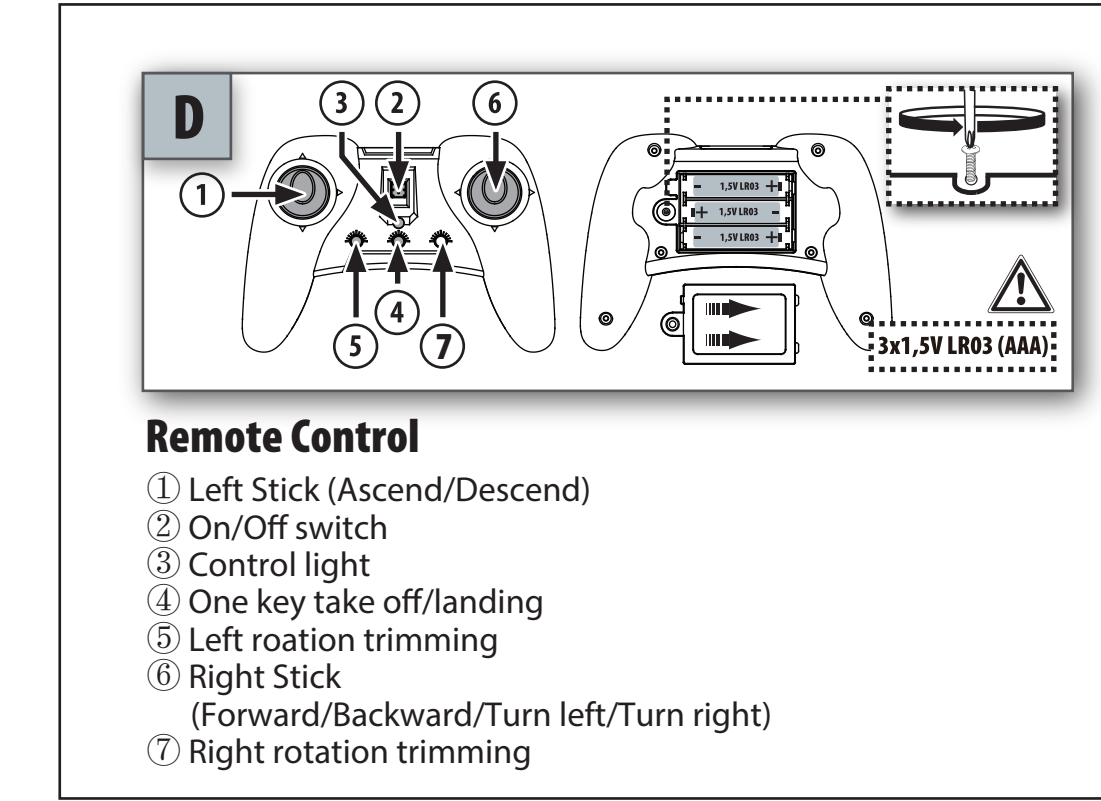
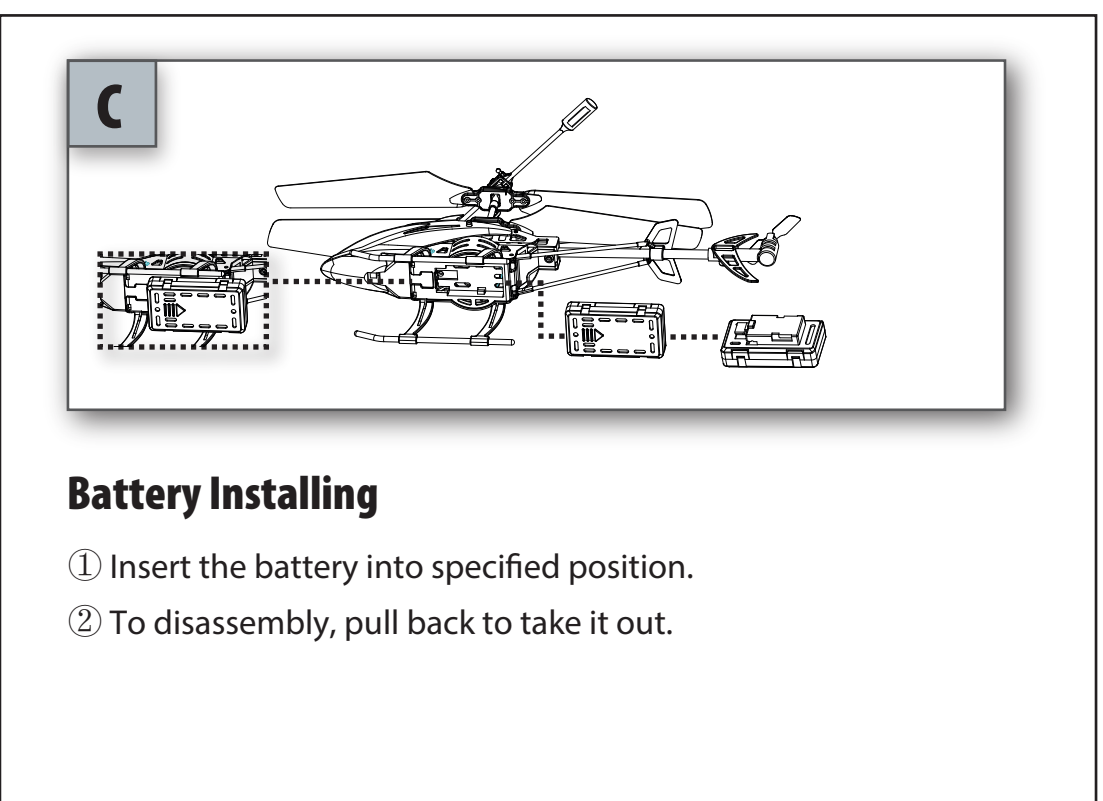
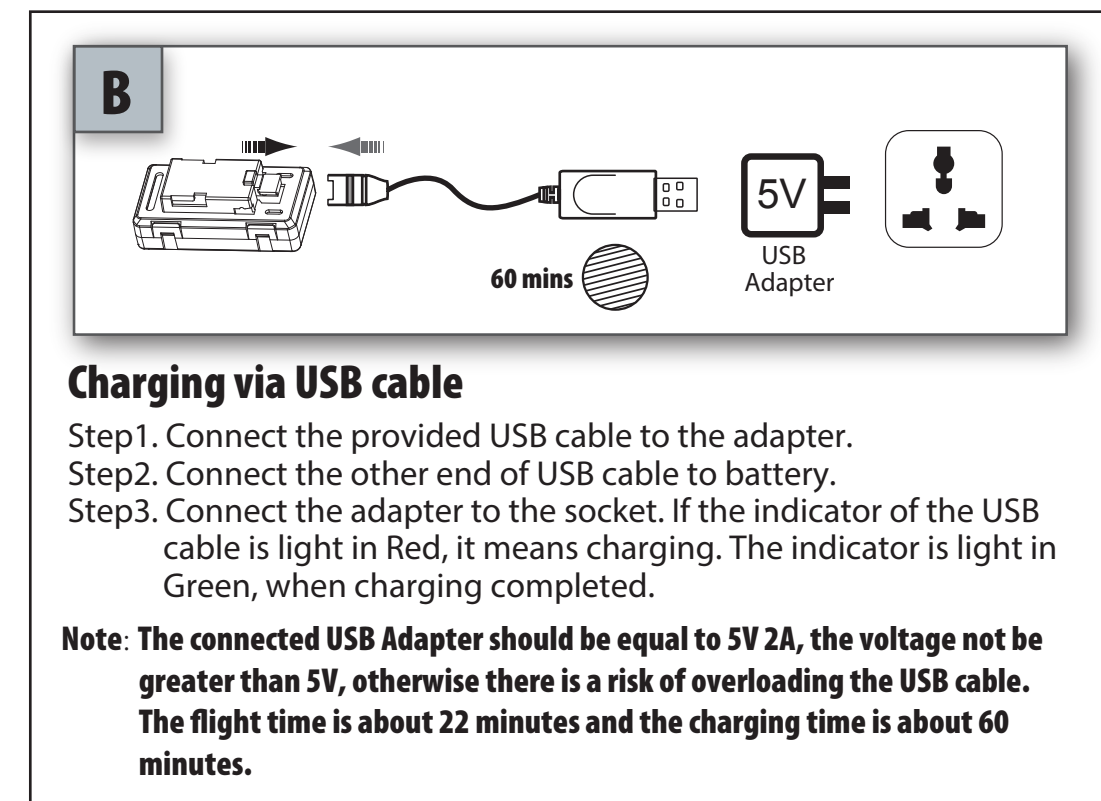
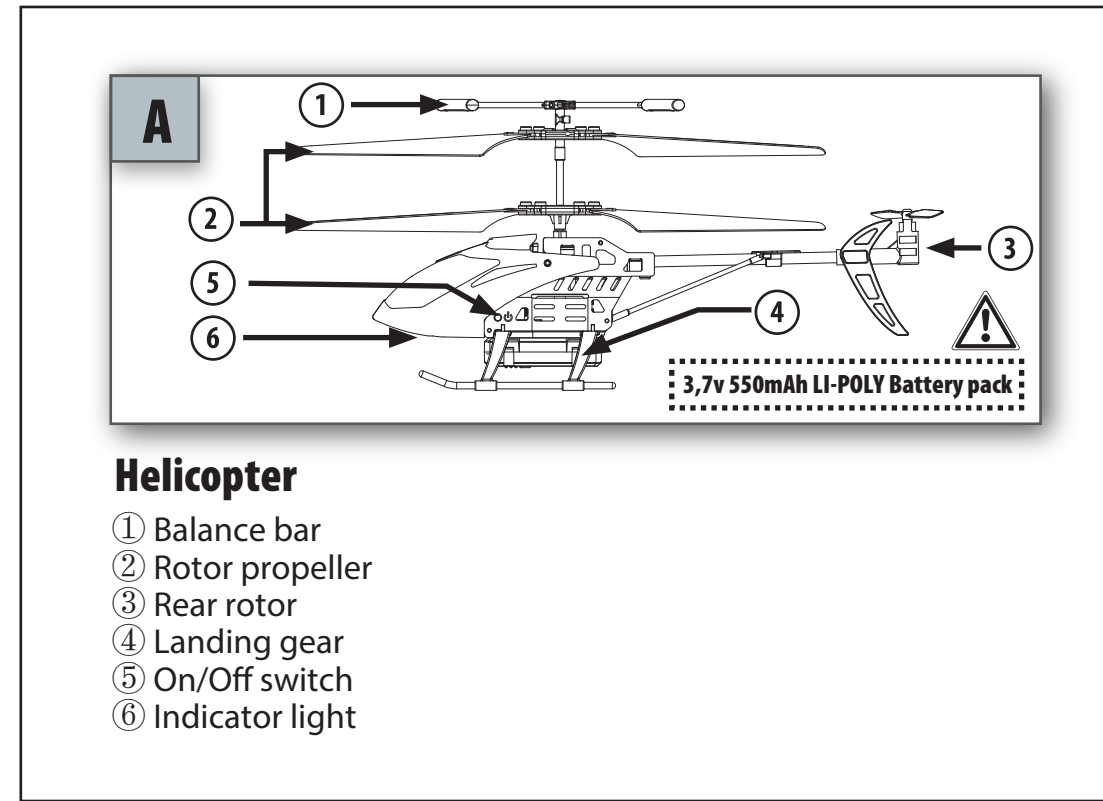


Aircraft Parameters

Aircraft: 195 X 45 X 110 mm
 Fuselage weight: 48 g
 Aircraft battery: 3.7V 550 mAh
 Remote battery: 3 x 1.5V AAA
 Aircraft charging time: 60 mins
 Flight time: 22 mins
 Control frequency: 2.4G
 Main motor: 2 x 716
 Rear motor: 1 x 612



Ready to Fly

Take Off

1. Push the Left stick to up and release to go into Idle mode. The propellers will rotate but the helicopter will not take off.
2. Press the take off button, the helicopter will hover a few feet of the ground. Then gently advance the Left stick to a desired height and release. The helicopter will hover at that height.

OR

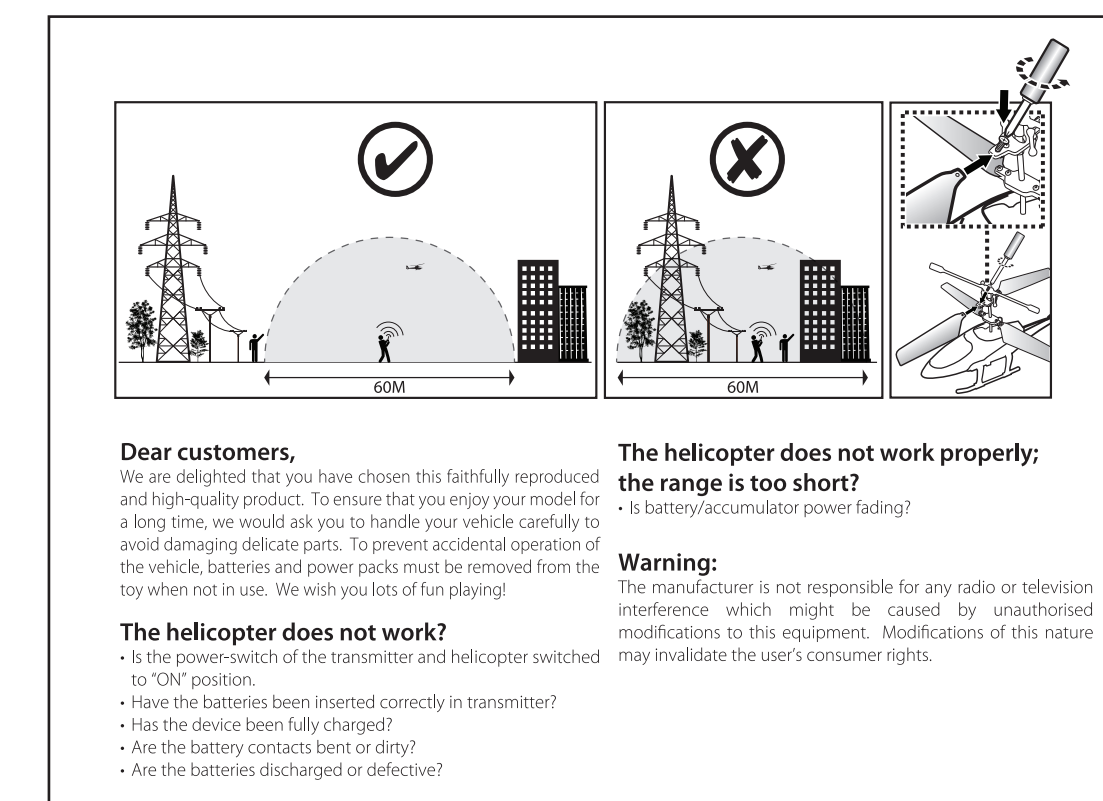
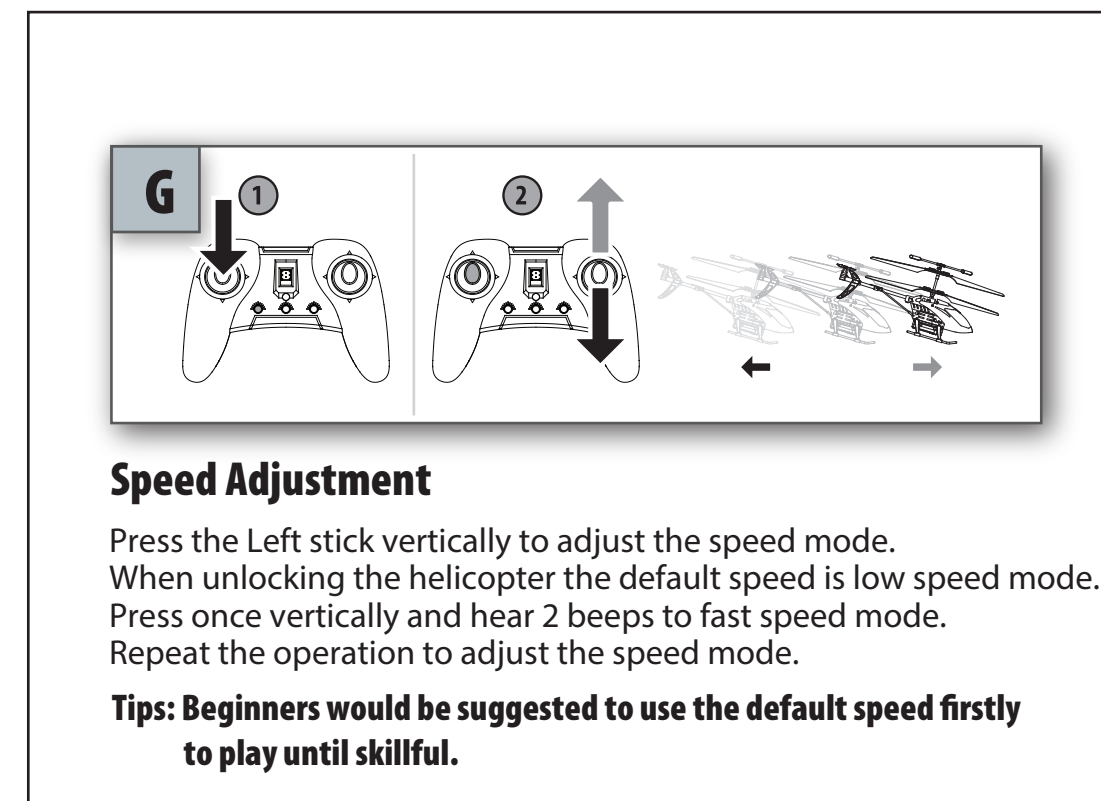
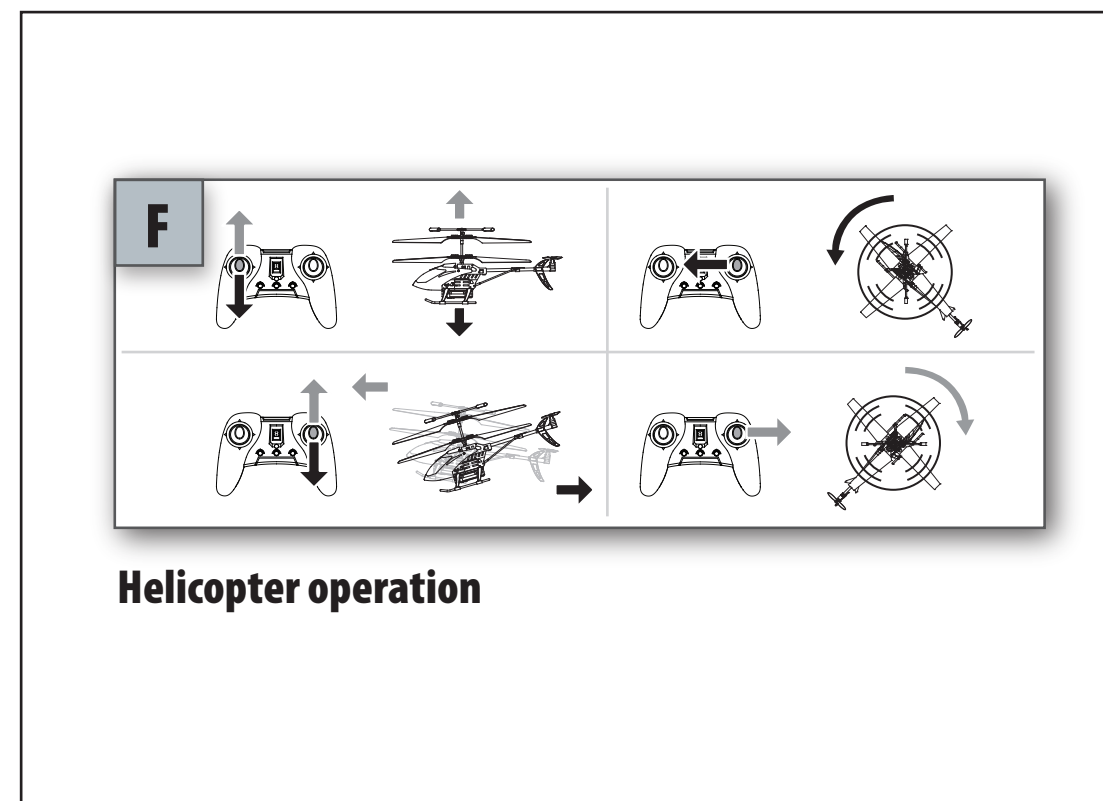
3. From Idle mode, gently advance the Left stick up to a desired height and release. The helicopter will hover at that height.

Landing

1. Press the landing button to lower the helicopter to the ground.

OR

2. Push down on the Left stick until the helicopter is on the ground.



Precautions (Please retain!)

1. **WARNING!** Not suitable for children under 8 years of age. Keep the instructions for use for later reference. Subject to technical change and change of color. Adult help is required to remove the securing devices.
2. Before first use read the user's information together with your child.
3. Operations and safe use must be explained (preferably by graphical illustrations).
4. Flying the helicopter shall be used with caution since skill is required in order to control the flight and avoid collisions with the user, objects or third parties, and children must be trained how to safely fly and control the toy under the direct supervision of an adult.
5. Note for adult supervisors: Check if the toy is assembled as instructed. The assembly shall be performed under the supervision of an adult.
6. Do not touch the rotating rotor, avoid loose clothing or hair that could be caught in the rotor, do not fly near the face. Hands, hair and loose clothes shall be kept away from the propeller (rotor).
7. Do not change or modify anything on the helicopter!
8. For safe use, the room where the toy is used must sufficiently large. The room must be free from obstacles.
9. This toy is intended to be used in domestic area (house and garden) only.
10. Caution! Do not start up and fly when persons, animals or any obstruction are within the flying range of the helicopter to keep the toy in line of sight, maximum operating distance (30m).
11. Caution: Risk of eye injuries! Do not fly near your face to avoid injuries.
12. Never lift the helicopter up while the propeller are still turning.
13. To prevent accidental operation of the helicopter, batteries and power packs must be removed from the toy when not in use.
14. To avoid accidental operation the transmitter must be switched on before the helicopter. When switching off, always switch the helicopter off and then the transmitter.
15. Wires are not to be inserted into socket-outlets.
16. We are not responsible for any loss of data, or damage to software, or other damage to computer or accessories caused by battery charging.
17. Check charging unit regularly for damage. In case of damage the charging procedure must only be undertaken in dry areas; protect unit from damp.
18. Warning: Adult assembly required. Used incorrect means to assemble the parts, incorrectly dis-assembled the parts which are not allowed to be dis-assembled, it would cause electrical hazards, thermal hazards, laceration injuries and other mechanical and physical hazards. The included screwdriver is only used by an adult, keep this screwdriver away from children. The included screwdriver only allowed to be used for re-installation of the blades of the rotor and the batteries cover according to the assembly instructions and not allowed to be used for other parts. The re-installation, assembly of the blades of the rotor is allowed by adult only. The use of the assembly tools for this product (re-installation of the spare blades) must follow the instructions. Other modifications and dis-assembly of other parts of the product (copter and remote controller) and incorrect use of the tool are prohibited. Replacement by other screws and fixings are not allowed.
19. The toy is only to be connected to Class II equipment bearing the following symbol.