

ZTA3323 Zero sequence current transformer **YHDC** 1992®

Characteristics:

Epoxy resin encapsulated, Nanocrystalline core, mini outline size, fully enclosed. specially designed for industrial three-phase equipment new products.

Technical index:

Mounting type: PCB
 Material of the core: Nanocrystalline
 Flame resistance: UL94-V0
 Execution standard: GB20840-2014
 Operating temperature: -20°C ~ +65°C
 Storage temperature: -25°C ~ +85°C
 Frequency range: 20Hz-20KHz
 Dielectric strength: 3KV 50Hz 1min

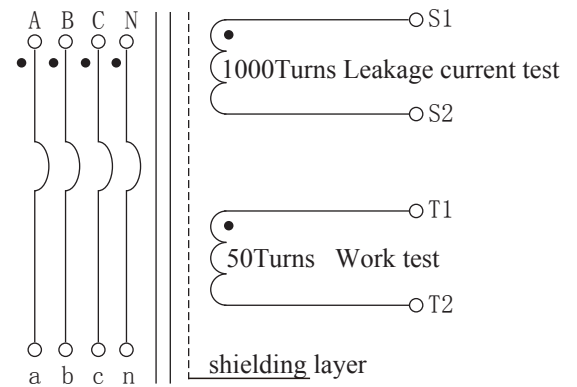
Product picture : (the printed words are for reference only, subject to the actual product)



Electrical parameters: (The following parameters are typical values and actual values will be subject to product testing)

Primary detection rated current	1	A
Primary minimum detectable current	6	mA
Secondary rated output current	1	mA
Turns ratio	1 : 1000 : 50	
Accuracy	-	%
Sampling resistance	-	Ω
Weight	60	g

Schematic diagram:



current output type
 the secondary is not allowed to open.

Dimensions (in mm ± 0.5) :

