

## Characteristics:

1. Vacuum epoxy potting, 100 °C/6 h high temperature aging, Twenty years of life, High electrical strength
2. High quality silicon steel sheet, Low temperature, High efficiency
3. PBT engineering plastic, environmental protection, flame retardant, 120 degrees without deformation
4. Reasonable structure, Easy installation, Low noise, Strong earthquake sealed waterproof, moistureproof

## Technical Index:

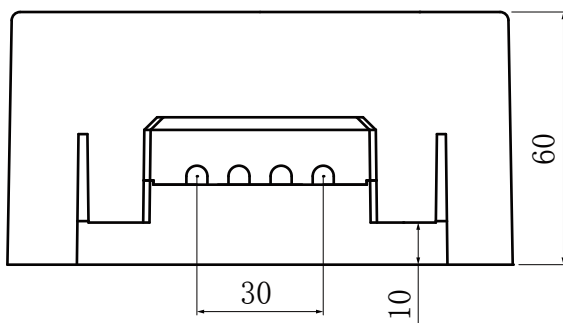
- Technical Index: Sub-plate mount
- Flame resistance: UL94-V0
- Insulation class: B
- Operation temperature: -30 °C ~ +70 °C
- Work frequency: 50Hz ~ 60Hz
- Dielectric strength: Primary/secondary (highest) 4KV 50Hz 1min 5mA

Electrical parameters: The following parameters are typical values. The actual values shall be subject to the actual measurement of the product

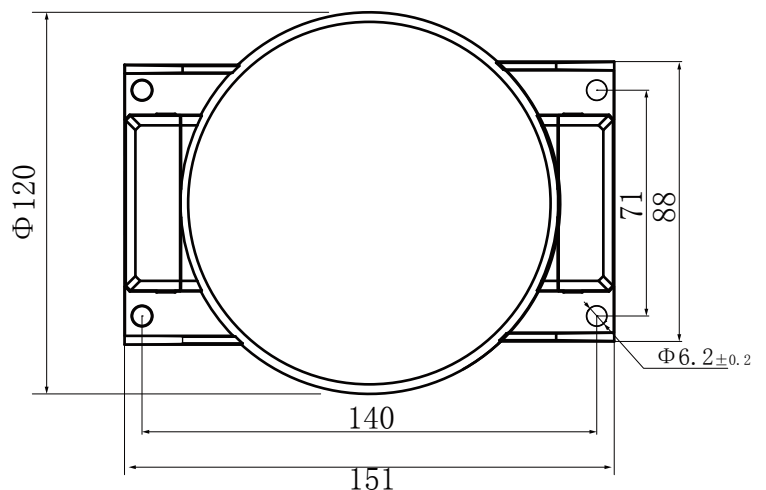
Primary voltage	110V	220V	230V	380V	400V	500V	660V	690V	Unit
Secondary voltage	5/10/100								V
Accuracy	0.1/0.2/0.5								%
Power	4/7/10								VA
Weight	2.5								Kg
Dielectric strength	4								KV

Noted	① Standard output is 5 v / 10 v / 100 v three choose one
	② 0.1% accuracy corresponds to 4VA output power, 0.2% accuracy corresponds to 7VA output power
	0.5% accuracy corresponds to 10VA output power

## Dimensions (in mm±0.5)



Top view



Side view

Product picture print for reference only, subject to the actual product



## Schematic Diagram:

