

Single-phase voltage transformer

Sub-plate mounting, high precision, high withstand voltage.



Applications

- Power Industry
- Oil industry
- Military engineering
- Chemical Industry

Product advantages

- Good stability
- Low noise
- High precision
- Small no-load current

Product features

- single crystal copper enameled wire
- High quality iron core-Z11 (annealing)
- PBT engineering plastics, Environmental protection, Flame retardant, 120 degrees without deformation
- Vacuum potting, 100 ° C / 6 hours high temperature aging, 20 years of life, High electric strength
- Reasonable structure, Easy to install, Low noise, Strong earthquake resistance, Sealed moisture

Typical technical index:

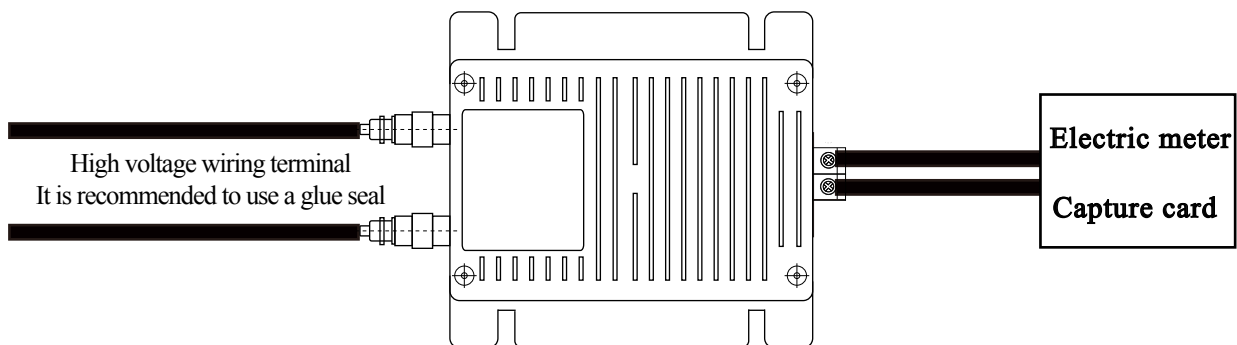
- Material of core——Silicon steel sheet
- Insulation grade: B grade (130℃)
- Storage temperature——-30℃~+70℃
- Frequency range——50Hz~60Hz
- Fair resistance: with UL94-V0
- Form test: Pri./Sec.20KV_{max} AC/1min 50mA(The samples for it is destructive experiment of samples, not recommended for normal use)
Factory test: Pri./Sec.20KV_{max} AC/1s 50mA

Electrical parameters: (The following parameters are typical values and actual values will be subject to product testing)

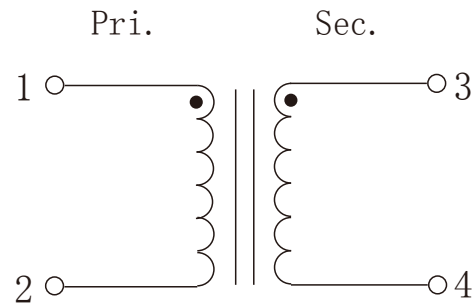
Remarks:

Primary input voltage	2000	3000	4000	5000	6000	V	Voltage fluctuation range ±20%
Secondary output voltage	5/10/100					V	Customizable other voltage outputs
Power	2.5		4			VA	Small would lower impedance voltage affect the accuracy
Accuracy	0.5		1			%	High precision and low power
Pri./Sec. Dielectric strength	10	15	20	20	20	KV	At least 5 to 7 times the input voltage
Weight	2133					g	For reference only

Application :



Wiring diagram :

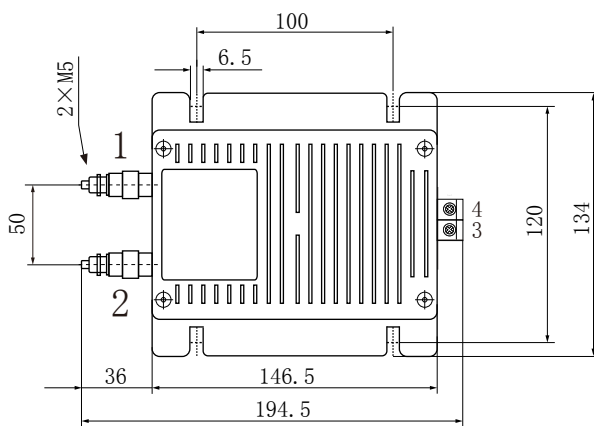


- Representing the same name

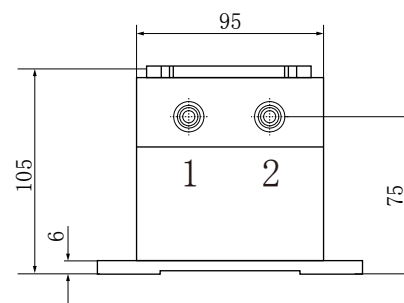
Secondary does not allow short circuit

***It is recommended to use adhesive seal at the end of high voltage side connection**

Dimensions (in mm)



Top View



Side view