

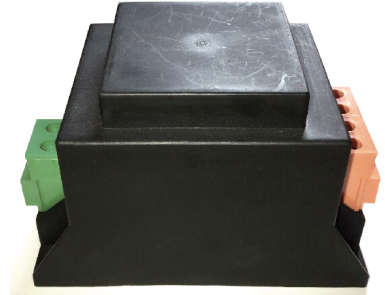
## Characteristics:

1. Vacuum epoxy potting, 100°C/6 h high temperature aging, Twenty years of life, High electrical strength
2. High quality silicon steel sheet, Low temperature, High efficiency
3. PBT engineering plastic, environmental protection, flame retardant, 120 degrees without deformation
4. Reasonable structure, Easy installation, Low noise, Strong earthquake sealed waterproof, moistureproof

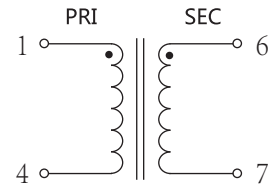
## Technical Index:

- Technical Index: Sub-plate mount
- Flame resistance: UL94-V0
- Insulation class: B
- Operation temperature: -30°C ~ +70°C
- Work frequency: 50Hz ~ 60Hz
- Dielectric strength: Primary/secondary (highest) 20KV 50Hz 1min 5mA

Product picture print for reference only, subject to the actual product



## Schematic Diagram:

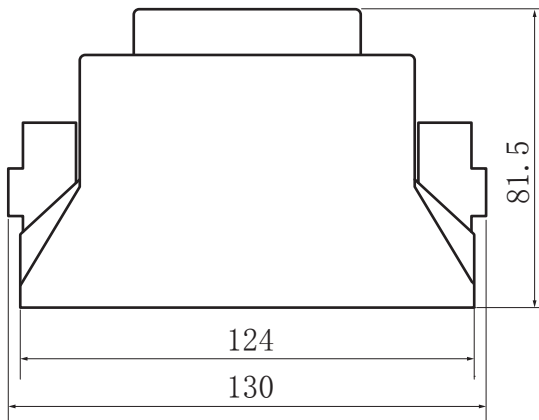


Electrical parameters: The following parameters are typical values. The actual values shall be subject to the actual measurement of the product

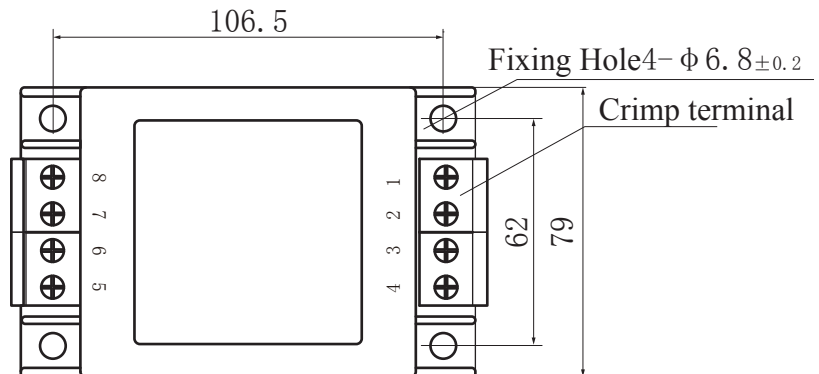
Primary voltage	100V	220V	230V	380V	400V	500V	660V	690V	1000V	1140V	1500V	2000V	3000V	Unit
Secondary voltage	5/10/100													V
Accuracy	0.5/1													%
Power	1/2													VA
Weight	1350													g
Dielectric strength	5	5	5	5	5	5	7	7	7	10	10	15	15	KV

Noted	① Standard output is 5 v / 10 v / 100 v three choose one
	② 0.5% accuracy corresponds to 1VA output power, 1% accuracy corresponds to 2VA output power

## Dimensions (in mm±0.5)



Front view



Top view