

Mini current type voltage transformer



Model: TV2006E

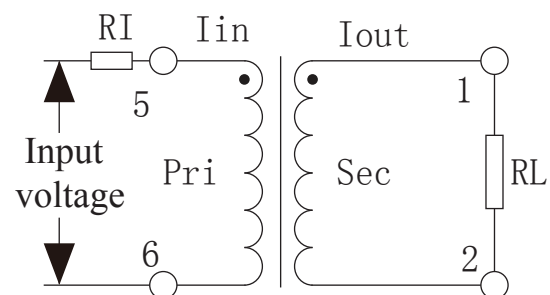
Characteristics: TV2006E is a current type voltage transformer, which USES Permalloy as the core. Different input voltages pass through current limiting resistance, so that different current flows through the primary side, and the secondary current is the same as the primary current.



Technical index:

- Mounting type: PCB mounting
- Material of the core: permalloy
- Flame resistance: UL94-V0
- Complaint with: GB1208-2006
- Operating temperature: $-20^{\circ}\text{C} \sim +70^{\circ}\text{C}$
- Storage temperature: $-30^{\circ}\text{C} \sim +80^{\circ}\text{C}$
- Frequency range: 20Hz-20KHz
- Dielectric strength: 5KV 50Hz 1min

Schematic diagram:



RI: Current limiting resistance

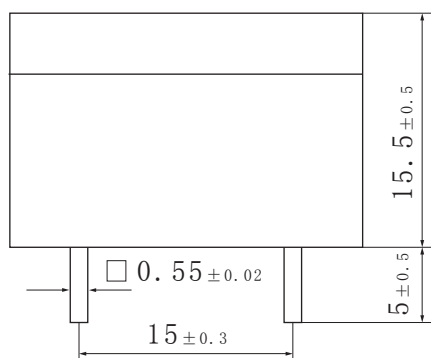
RL: Sampling resistance

Electrical parameters:

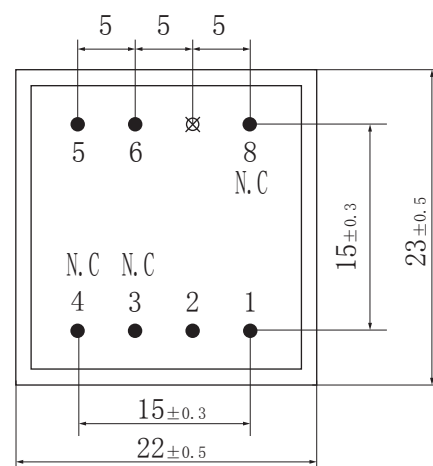
Rated input	6	mA
Rated output	6	mA
Turns	1200: 1200	
Linearity	0.1	%
Max. measuring voltage	500	V
Phase error(Reference)	$\leq 25'$	
Sampling resistance max	400	Ω
Weight	24	g

3, 4 and 8 are empty needles

Dimensions (in mm) :



Front view



Bottom view