

# Mini current type voltage transformer



## Model: TV19G

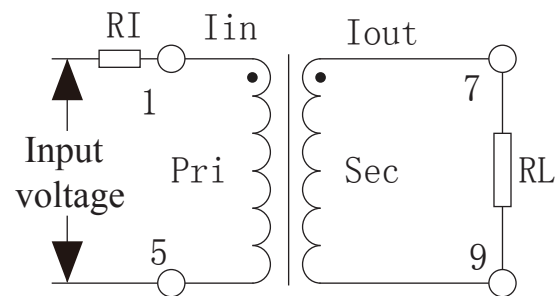
**Characteristics:** TV19G is a current-type voltage transformer, which USES Perm alloy as the core. Different input voltages pass through current limiting resistance to make the primary side flow through different currents, and obtain the same current as the primary one.



### Technical index:

- Mounting type: PCB mounting
- Material of the core: permalloy
- Flame resistance: UL94-V0
- Complaint with: GB1208-2006
- Operating temperature: -20 °C ~ +70 °C
- Storage temperature: -30 °C ~ +80 °C
- Frequency range: 20Hz-20KHz
- Dielectric strength: 6KV 50Hz 1min

### Schematic diagram:



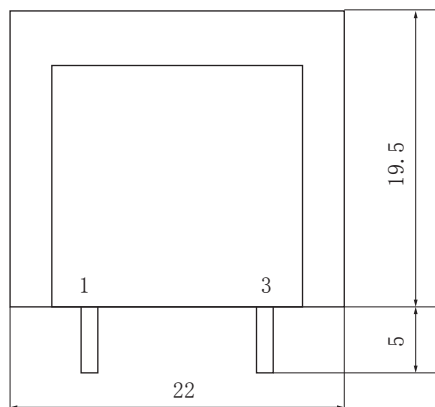
RI: Current limiting resistance

RL: Sampling resistance

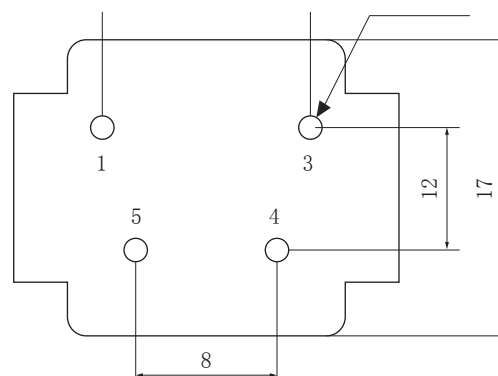
### Electrical parameters:

Rated input	4	mA
Rated output	4	mA
Turns	1000: 1000	
Linearity	0.1	%
Max. measuring voltage	800	V
Phase error(Reference)	≤25'	
Sampling resistance max	400	Ω
Weight	17	g

### Dimensions (in mm) :



Front view



Bottom view