

Toroidal transformer



Model: TTC25

Characteristics:

low magnetic leakage, low noise, high efficiency, low no-load current, plate mounted, suitable for advanced audio, medical equipment, military engineering, precision instruments, using imported high quality ring iron core.

Basic indicators: Input: double 110V, 115V, 120V

Technical Index:

Technical Index: Plate installation

Flame resistance : UL94-V0

Insulation class: B

Operation temperature: -30°C ~ +60°C

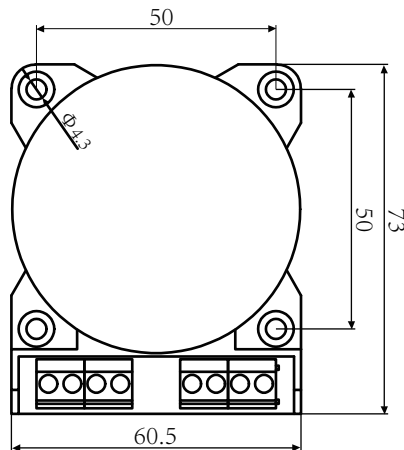
Work frequency: 50Hz ~ 60Hz

Dielectric strength: PRI/SEC: 4KV 50Hz 1min 5mA
SEC/SEC 500V 50Hz 1min 5mA

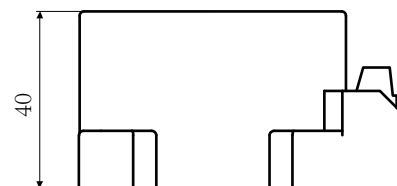
Electrical parameters: (The following parameters are typical values and actual values will be subject to product testing)

Primary voltage	Double 110、115、120 V
Primary voltage range	±10 %
Voltage regulation	≤17 %
Power	25 VA
Temperature rising	≤35 °C
No load loss	≤0.5 W
weight	448 g

Dimension (in mm) :



Top view



Front view

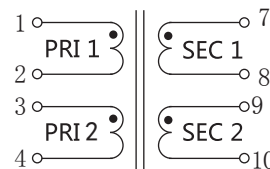


Patent no.: ZL 2020 2 0259605.3

Standard output parameter table :
(factory full load voltage shall prevail)

Secondary voltage	Secondary no load voltage	Secondary full load current
7V × 2	8.4V × 2	1.78A × 2
9V × 2	10.5V × 2	1.38A × 2
12V × 2	14.3V × 2	1.04A × 2
15V × 2	17.7V × 2	833mA × 2
18V × 2	21.5V × 2	694mA × 2
22V × 2	26V × 2	568mA × 2

Schematic Diagram:



Input/output shorting method

Series connection:

2-3 short circuit/1-4 input
8-9 short circuit/7-10 output

Parallel connection:

1-3 short circuit.2-4short circuit
1-2 input or 3-4 input
7-9 short circuit.8-10 short circuit
7-8 output or 9-10 output