

Model: TTC15

Characteristics:

low magnetic leakage, low noise, high efficiency, low no-load current, plate mounted, suitable for advanced audio, medical equipment, military engineering, precision instruments, using imported high quality ring iron core.

Basic indicators: Input: double 110V, 115V, 120V

Technical Index:

Technical Index: Plate installation

Flame resistance : UL94-V0

Insulation class: B

Operation temperature: $-30^{\circ}\text{C} \sim +60^{\circ}\text{C}$

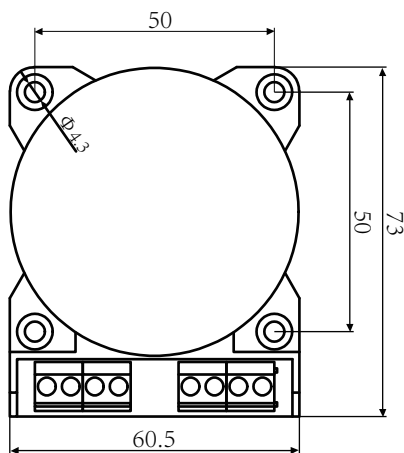
Work frequency: 50Hz~60Hz

Dielectric strength: PRI/SEC: 4KV 50Hz 1min 5mA
SEC/SEC 500V 50Hz 1min 5mA

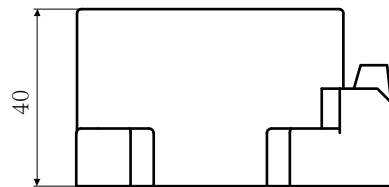
Electrical parameters: (The following parameters are typical values and actual values will be subject to product testing)

Primary voltage	Double 110、115、120 V
Primary voltage range	± 10 %
Voltage regulation	≤ 19 %
Power	15 VA
Temperature rising	≤ 28 $^{\circ}\text{C}$
No load loss	≤ 0.3 W
weight	300 g

Dimension (in mm) :



Top view



Front view

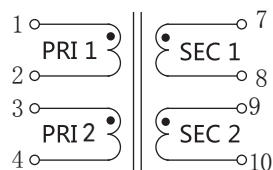


Patent no.: ZL 2020 2 0259605.3

Standard output parameter table :
(factory full load voltage shall prevail)

Secondary voltage	Secondary no load voltage	Secondary full load current
7V × 2	8.5V × 2	1.07A × 2
9V × 2	10.8V × 2	833mA × 2
12V × 2	14.7V × 2	625mA × 2
15V × 2	18.5V × 2	500mA × 2
18V × 2	22.2V × 2	417mA × 2
22V × 2	27.2V × 2	341mA × 2

Schematic Diagram:



Input/output shorting method

Series connection:

2-3 short circuit/1-4input
8-9 short circuit/7-10 output

Parallel connection:

1-3 short circuit.2-4short circuit
1-2 input or 3-4 input
7-9 short circuit.8-10 short circuit
7-8 output or 9-10 output