

Split core current transmitter

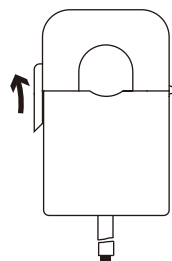
Split core, suspension installation, output with cable. Detect AC current. High insulation between primary and secondary circuits.



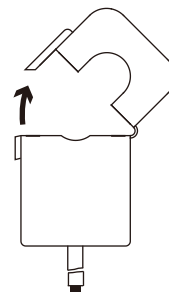
Installation diagram

Product features

- Light weight
- Low power consumption
- Good linearity
- No insertion loss
- Fast response time
- Good anti-interference ability



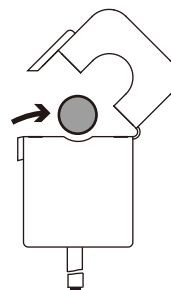
1. Loosen the card buckle



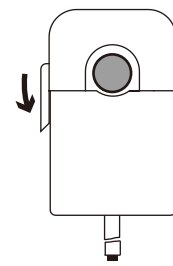
2. Open up

Product application

- Railway
- Metallurgical
- Welding machine
- Robot
- Motor
- Inverter power supply
- Variable frequency governor
- Uninterrupted power supply and communication power supply



3. In the lead



4. Fasten card buckle

Electrical parameters: (The following parameters are typical values and actual values will be subject to product testing)

Remarks

Rated input	300A	400A	500A	Standard input
Input measurement range	360A	480A	600A	Default is 1.2 times the input rating
Rated output	0-20mA/4-20mA/0-5V/1-5V/0-10V			Output one of five 0-10V output +24V power supply
Accuracy	0.5%			
Linearity	0.5%			
Supply voltage ($\pm 5\%$)	+12V / +24V			Supply voltage range $\pm 5\%$
Current consumption	$\leq 35\text{mA}$			Reference will be subject to the measured
Load impedance	Current type output: 250 Ω (Typification)	Voltage type output: $\geq 10\text{K}\Omega$		
Zero offset voltage	Current type output: $\pm 0.08\text{mA}$	Voltage type output: $\pm 15\text{mV}$		TA=25 °C
Response time	$\leq 200\text{mS}$			Reference will be subject to the measured
weight	321g			Reference will be subject to the measured
Operating temperature	-10 ~ +70 °C			
Storage temperature	-25 ~ +70 °C			
Band width	50~400Hz			
Dielectric strength	2.5KV 50Hz 1min			

Instruction for use:

1. Connect the wires correctly according to the marked connection mode
2. With hole measurement, response time and following the speed for the best
3. Faulty wiring can lead to product damage and output uncertainty

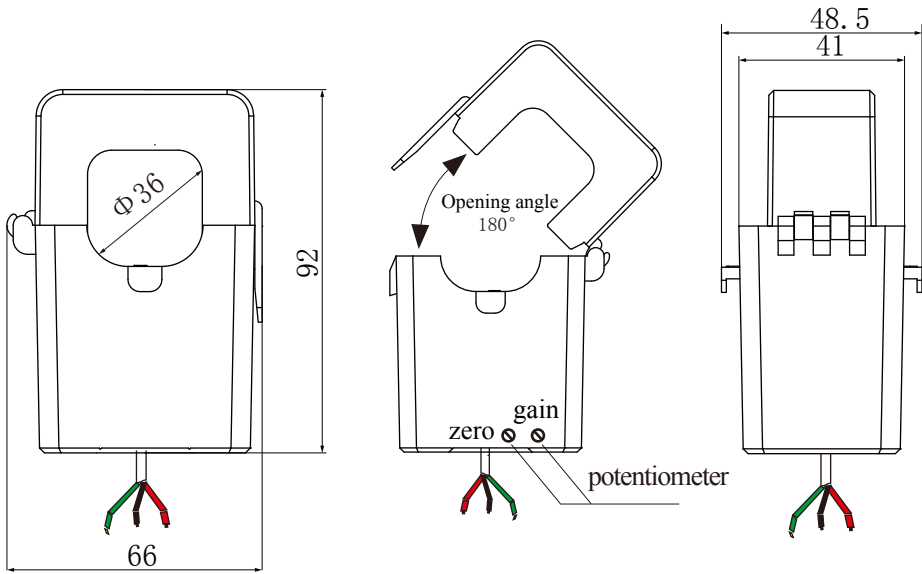
Safe operation:

- *Please read this specification carefully before use.
- *When you need to move the product, please be sure to disconnect the power and all the connected cables.
- *If found shell, devices attached to the fixed parts, wire, or have any damaged, please immediately deal with hidden dangers.
- *If there is any doubt about the safe operation of the equipment, the equipment and the corresponding accessories should be closed immediately, and the fastest time for troubleshooting.

Proclamations:

As our products are constantly being improved and updated, we reserve the right to modify the content of this specification at any time without prior notice.

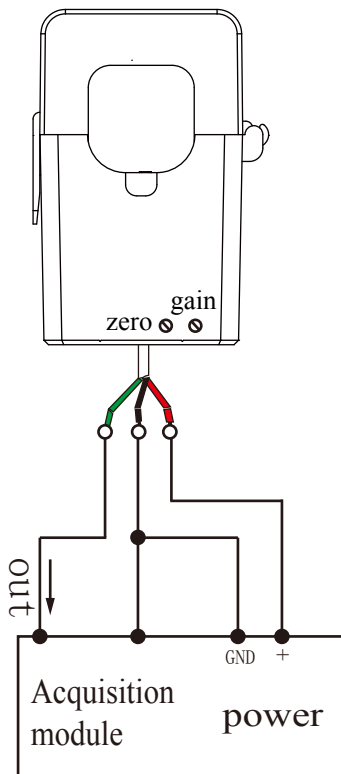
Dimensions(in mm±0.5) :



Cable:

Cable specification:
0.2mm² Three core shielding wire
Three core color: Red、Black、 Green
Cable length: 50cm

Wiring diagram:



Cable definition:

Red: +V
Black: GND
Green: out

- ※①The auxiliary power supply with ripple small ($\leq 20\text{mV}$) is selected
- ②Switch on auxiliary power
- ③Auxiliary power is connected to the transmitter
- ④Transmitter detects the primary current