

## Split core current transmitter

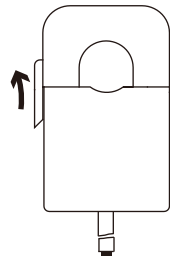
Split core、suspension indtallation, output with cable.Detect AC current. High insulation between primary and secondary circuits.



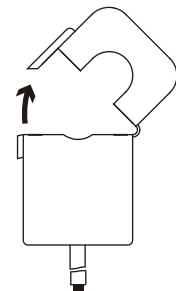
## Installation diagram

### Product features

- Light weight
- Low power consumption
- Good linearity
- No insertion loss
- Fast response time
- Good anti-interference ability



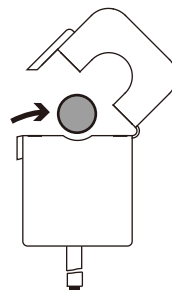
1. Loosen the card buckle



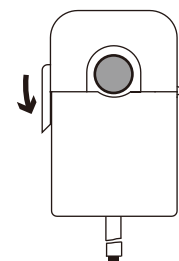
2. Open up

### Product application

- Railway
- Metallurgical
- Welding machine
- Robot
- Motor
- Inverter power supply
- Variable frequency governor
- Uninterrupted power supply and communication power supply



3. In the lead



4. Fasten card buckle

**Electrical parameters:** ( The following parameters are typical values and actual values will be subject to product testing )

**Remarks**

Rated input	10A	20A	50A	80A	100A	Standard input
Input measurement range	11A	22A	55A	88A	110A	Default is 1.1 times the input rating
Rated output	0-20mA/4-20mA/0-5V/1-5V					Output one of four Cannot do 0-10V output
Accuracy	0.5%					
Linearity	0.5%					
Supply voltage ( $\pm 5\%$ )	+12V					Supply voltage range $\pm 5\%$ Unable to supply +24V power
Current consumption	$\leq 35\text{mA}$					Reference will be subject to the measured
Load impedance	Current type output: 250 $\Omega$ (Typification)		Voltage type output: $\geq 10\text{K}\Omega$			
Zero offset voltage	Current type output: $\pm 0.08\text{mA}$		Voltage type output: $\pm 15\text{mV}$			TA=25 $^{\circ}\text{C}$
Response time	$\leq 200\text{mS}$					Reference will be subject to the measured
weight	73g					Reference will be subject to the measured
Operating temperature	-10 $\sim$ +70 $^{\circ}\text{C}$					
Storage temperature	-25 $\sim$ +70 $^{\circ}\text{C}$					
Band width	25~1KHz					
Delectric strength	2.5KV 50Hz 1min					

### Instruction for use:

- 1.Connect the wires correctly according to the marked connection mode
- 2.With hole measurement, response time and following the speed for the best
- 3.Faulty wiring can lead to product damage and output uncertainty

### Safe operation:

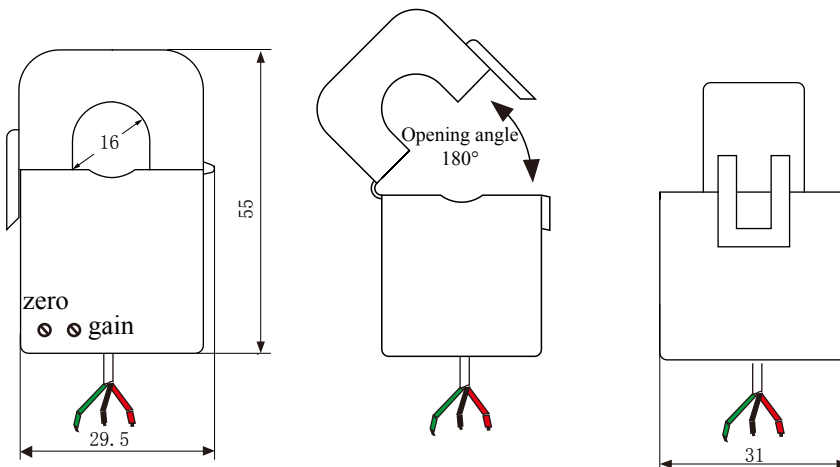
- \*Please read this specification carefully before use.
- \*When you need to move the product, please be sure to disconnect the power and all the connected cables.
- \*If found shell, devices attached to the fixed parts, wire, or have any damaged, please immediately deal with hidden dangers.
- \*If there is any doubt about the safe operation of the equipment, the equipment and the corresponding accessories should be closed immediately, and the fastest time for troubleshooting.

### Proclamations:

As our products are constantly being improved and updated, we reserve the right to modify the content of this specification at any time without prior notice.

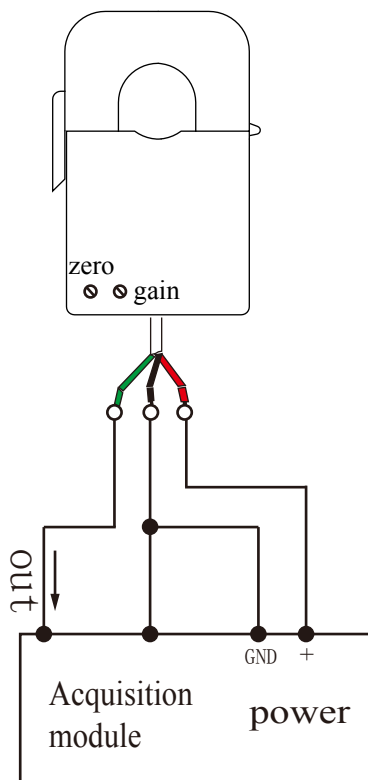
Dimensions(in mm±0.5) :

Cable:



Cable specification:  
0.2mm<sup>2</sup> Three core shielding wire  
Three core color: Red、 Black、 Green  
Cable length: 50cm

Wiring diagram:



### Cable definition:

Red: +V  
Black: GND  
Green: out

- ※① The auxiliary power supply with ripple small ( $\leq 20\text{mV}$ ) is selected
- ② Switch on auxiliary power
- ③ Auxiliary power is connected to the transmitter
- ④ Transmitter detects the primary current