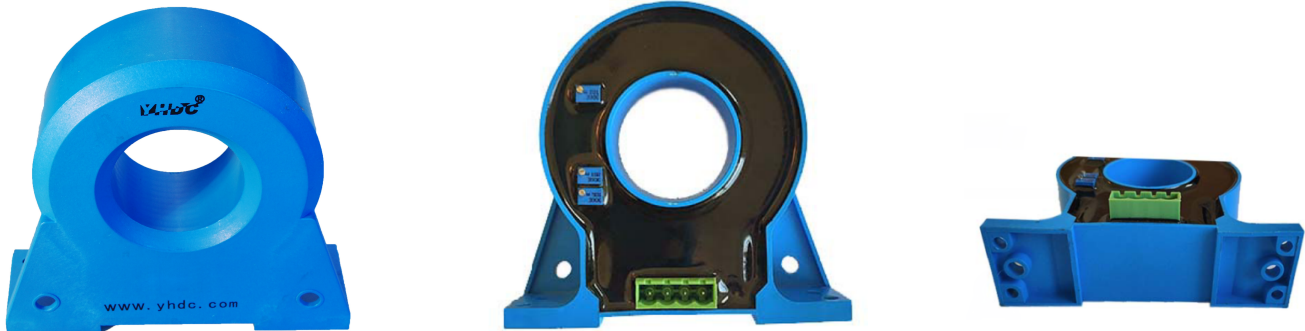


Current Transmitter

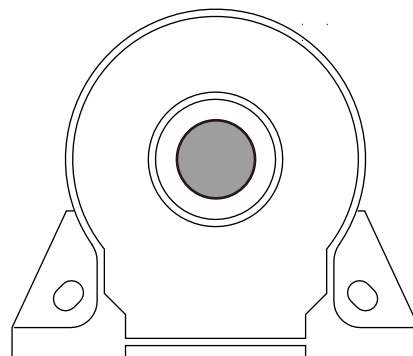
Sub-plate mount, terminal output. Detect ac current. High insulation between primary and secondary circuits.



Product features

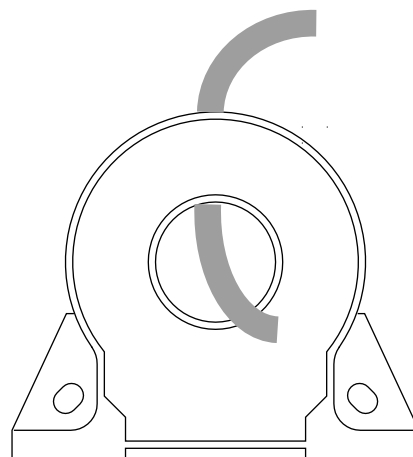
- Light weight
- Low power consumption
- Good linearity
- No insertion loss
- Fast response time
- Good anti-interference ability

Installation diagram



Product application

- Railway
- Metallurgical
- Welding machine
- Robot
- Motor
- Inverter power supply
- Variable frequency governor
- Uninterrupted power supply and communication power supply



Electrical parameters: (The following parameters are typical values and actual values will be subject to product testing)

Remarks

Rated input	200A	300A	400A	500A	600A	700A	800A	Standard input
Input measurement range	240A	360A	480A	600A	720A	840A	960A	Default is 1.2 times the input rating
Rated output	0-20mA/4-20mA/0-5V/1-5V/0-10V							Output one of five 0-10V output +24V power supply
Accuracy	1%							
Linearity	0.5%							
Supply voltage ($\pm 5\%$)	+12V / +24V							Supply voltage range $\pm 5\%$
Current consumption	$\leq 48\text{mA} + I_o$							Reference will be subject to the measured
Load impedance	Current type output: 250 Ω (Typification)			Voltage type output: $\geq 10\text{K}\Omega$				
Zero offset voltage	Current type output: $\pm 0.08\text{mA}$			Voltage type output: $\pm 15\text{mV}$				TA=25 $^{\circ}\text{C}$
Response time	$\leq 350\text{mS}$							Reference will be subject to the measured
weight	302g							Reference will be subject to the measured
Operating temperature	-10 \sim +70 $^{\circ}\text{C}$							
Storage temperature	-25 \sim +70 $^{\circ}\text{C}$							
Band width	50Hz \sim 400Hz							
Dielectric strength	2.5KV 50Hz 1min							

Instruction for use:

1. Correct wiring as indicated
2. Full scale measurement, response time and following the speed for the best
3. Faulty wiring can lead to product damage and output uncertainty

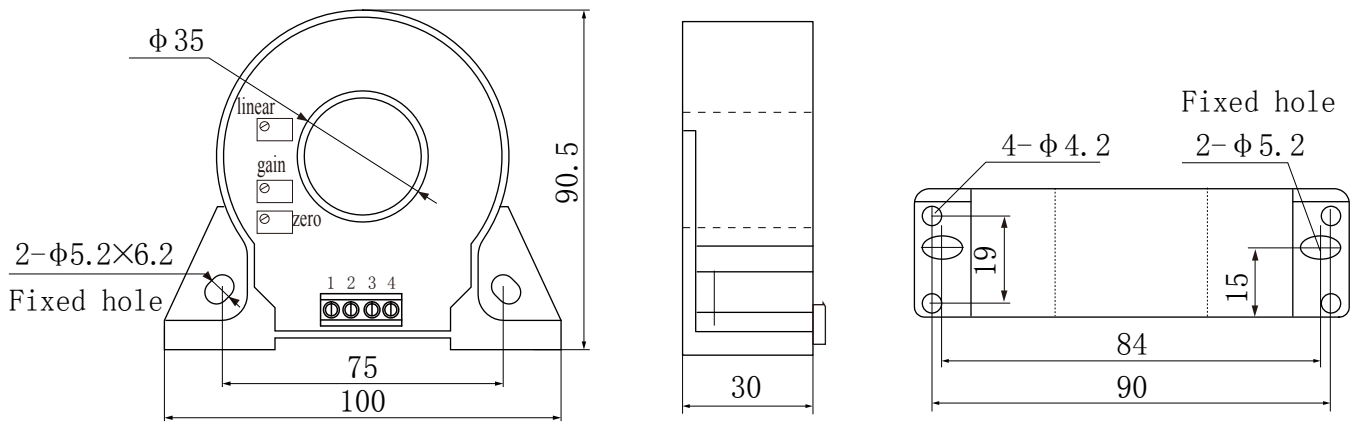
Safe operation:

- *Please read this specification carefully before use.
- *When you need to move the product, please be sure to disconnect the power and all the connected cables.
- *If found shell, devices attached to the fixed parts, wire, or have any damaged, please immediately deal with hidden dangers.
- *If there is any doubt about the safe operation of the equipment, the equipment and the corresponding accessories should be closed immediately, and the fastest time for troubleshooting.

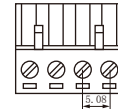
Proclamations:

As our products are constantly being improved and updated, we reserve the right to modify the content of this specification at any time without prior notice.

Dimensions(in mm±0.5) :

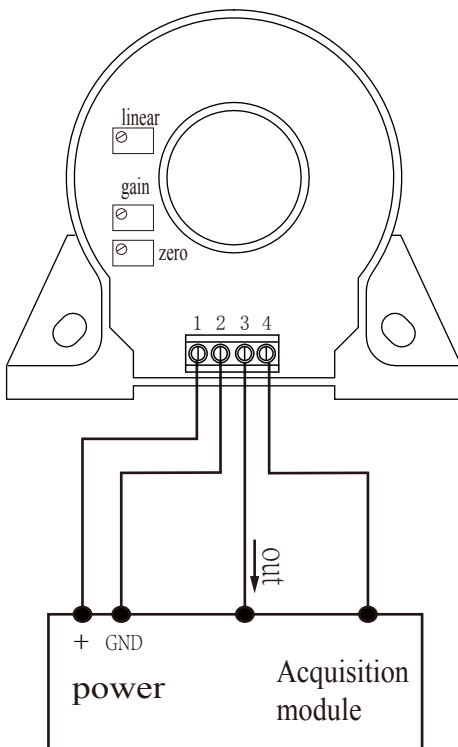


Connector Illustration



Crimping terminal fast plug 2-5.08-4 p spacing 5.08 mm

Wiring diagram:



Terminal definition:

- 1: +V
- 2: GND
- 3: out
- 4: GND

- ※① The auxiliary power supply with ripple small ($\leq 20\text{mV}$) is selected
- ② Switch on auxiliary power
- ③ Auxiliary power is connected to the transmitter
- ④ Transmitter detects the primary current
- ⑤ Both GND internals are not isolated