

TE series isolation transformer



Model: TE7628

Characteristics:

Sub-plate mount, Vacuum Epoxy Encapsulated, Crimping terminal output

Technical Index:

Technical Index: PCB

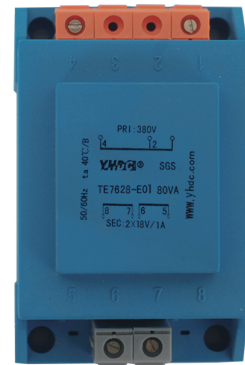
Flame resistance : UL94-V0

Insulation class: B

Operation temperature: -30°C ~ +40°C

Work frequency: 50Hz ~ 60Hz

Dielectric strength: 3.5KV 50Hz 1min

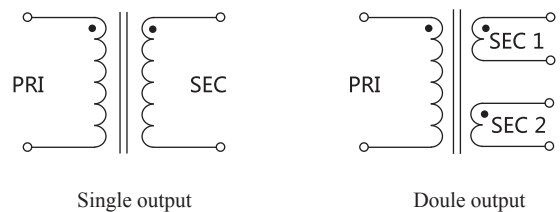


Technical Parameters table:

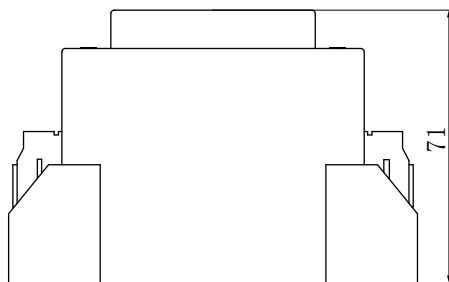
Primary voltage	110/220/230/380	V
Primary voltage range	± 10	%
Voltage regulation	≤12	%
Power	80	VA
Temperature rising	≤30	°C
No load loss	≤1.5	W
weight	650	g

Secondary output voltage		Secondary No-load Voltage		Secondary full load current	
Single	Double	Single	Double	Single	Double
6V	6V × 2	6.7V	6.7V × 2	13.33A	6.665A × 2
7.5V	7.5V × 2	8.4V	8.4V × 2	10.66A	5.33A × 2
9V	9V × 2	10.2V	10.2V × 2	8.88A	4.44A × 2
12V	12V × 2	13.5V	13.5V × 2	6.66A	3.33A × 2
15V	15V × 2	16.9V	16.9V × 2	5.33A	2.665A × 2
18V	18V × 2	20.3V	20.3V × 2	4.44A	2.22A × 2
24V	24V × 2	27.1V	27.1V × 2	3.33A	1.665A × 2

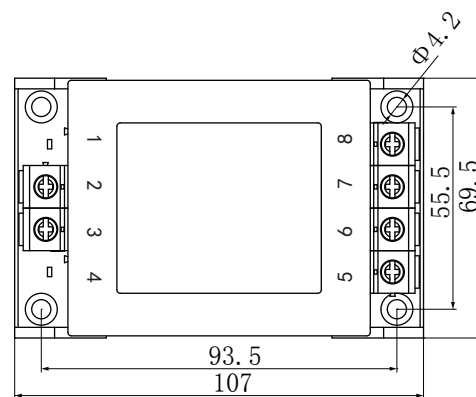
Schematic Diagram:



Dimensions (in mm) ±0.5mm



Front view



Vertical view