

# TE series isolation transformer



Model:TE5424

## Characteristics:

Sub-plate mount, Vacuum Epoxy Encapsulated,  
Crimping terminal output.



## Technical Index:

Technical Index: Sub-plate mount

Flame resistance : UL94-V0

Insulation class: B

Operation temperature: -30°C~+40°C

Work frequency: 50Hz~60Hz

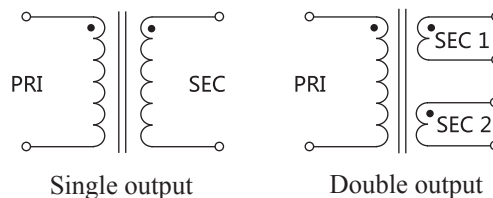
Dielectric strength: 3.75KV 50Hz 1min

## Technical Parameters table:

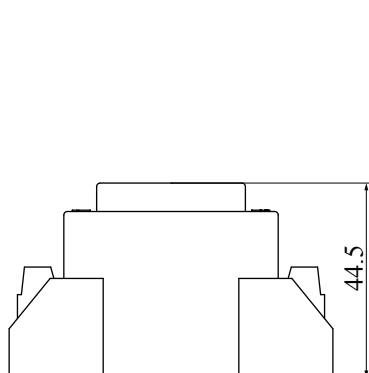
|                       |             |    |
|-----------------------|-------------|----|
| Primary voltage       | 110/220/230 | V  |
| Primary voltage range | ±10         | %  |
| Voltage regulation    | ≤15         | %  |
| Power                 | 20          | VA |
| Temperature rising    | ≤28         | °C |
| No load loss          | ≤1.2        | W  |
| weight                |             | g  |

| Secondary voltage |        | Secondary no load voltage |         | Secondary full load current |           |
|-------------------|--------|---------------------------|---------|-----------------------------|-----------|
| Single            | Double | Single                    | Double  | Single                      | Double    |
| 6V                | 6V×2   | 6.8V                      | 6.8V×2  | 3333mA                      | 1667mA×2  |
| 7.5V              | 7.5V×2 | 8.6V                      | 8.6V×2  | 2666mA                      | 1333mA×2  |
| 9V                | 9V×2   | 10.3V                     | 10.3V×2 | 2222mA                      | 1111mA×2  |
| 12V               | 12V×2  | 13.7V                     | 13.7V×2 | 1666mA                      | 833mA×2   |
| 15V               | 15V×2  | 17.1V                     | 17.1V×2 | 1333mA                      | 667mA×2   |
| 18V               | 18V×2  | 20.5V                     | 20.5V×2 | 1111mA                      | 555.5mA×2 |
| 24V               | 24V×2  | 27.3V                     | 27.3V×2 | 833mA                       | 416.5mA×2 |

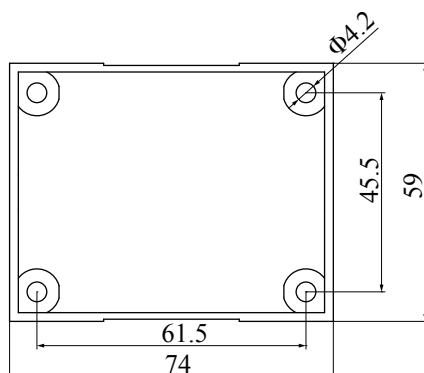
## Schematic Diagram:



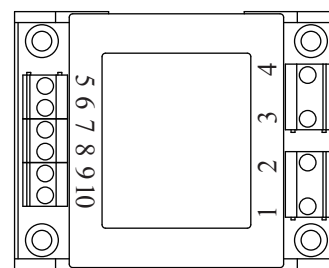
Dimension (in mm) :



Front View



Bottom View



Top View