

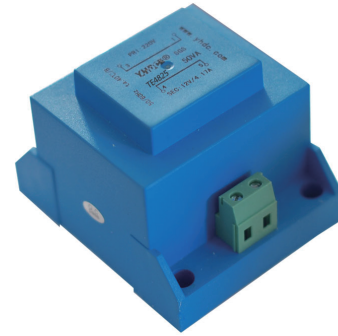
# TE series isolation transformer



Model: TE4820

## Characteristics:

Sub-plate mount, Vacuum Epoxy Encapsulated, Crimping terminal output



## Technical Index:

Technical Index: PCB

Flame resistance : UL94-V0

Insulation class: B

Operation temperature:  $-30^{\circ}\text{C} \sim +40^{\circ}\text{C}$

Work frequency: 50Hz~60Hz

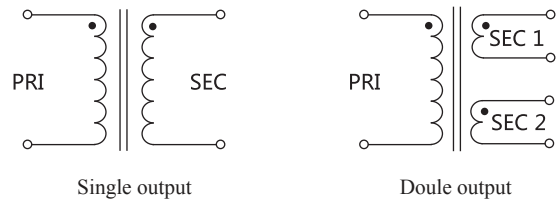
Dielectric strength: 3.5KV 50Hz 1min

## Technical Parameters table:

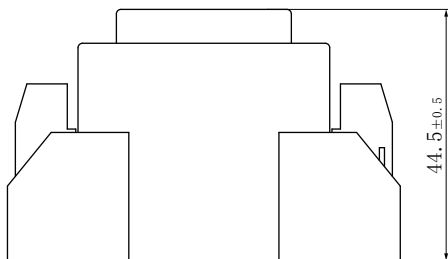
Primary voltage	110/220/230/380	V
Primary voltage range	$\pm 10$	%
Voltage regulation	$\leq 18$	%
Power	12	VA
Temperature rising	$\leq 25$	$^{\circ}\text{C}$
No load loss	$\leq 0.9$	W
weight	300	g

Secondary voltage		Secondary no load voltage		Secondary full load current	
Single	Double	Single	Double	Single	Double
6V	6V×2	7.2V	7.2V×2	2000mA	1000mA×2
7.5V	7.5V×2	9.1V	9.1V×2	1600mA	800mA×2
9V	9V×2	10.9V	10.9V×2	1333mA	666.5mA×2
12V	12V×2	14.6V	14.6V×2	1000mA	500mA×2
15V	15V×2	18.2V	18.2V×2	800mA	400mA×2
18V	18V×2	21.8V	21.8V×2	666.6mA	333.3mA×2
24V	24V×2	29V	29V×2	500mA	250mA×2

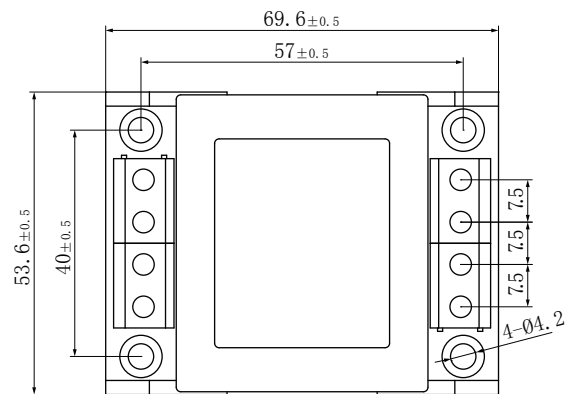
## Schematic Diagram:



## Dimensions (in mm)



Front view



Top View