

Model:TCA2815

PCB mounting;The faulty wiring can lead to product damage,
The output is linear with primary test current,and
the output signal can be directly enter automatic
control equipment or PLC port.

Technical index:

Flame resistance: UL94-V0

Operating temperature: $-10^{\circ}\text{C}\sim+70^{\circ}\text{C}$

Storage temperature: $-40^{\circ}\text{C}\sim+85^{\circ}\text{C}$

Dielectric strength: 2.5KV 50Hz 1min

Overload capacity: 8times 0.1S

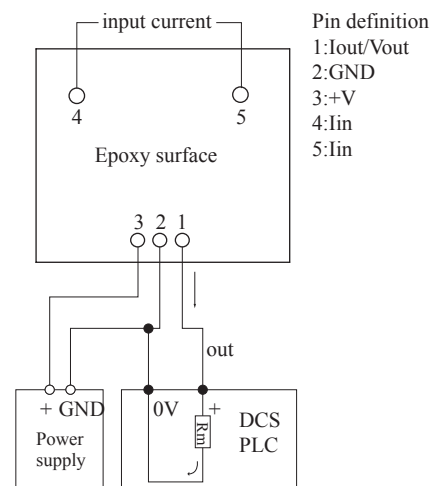
Waterproof level: IP00



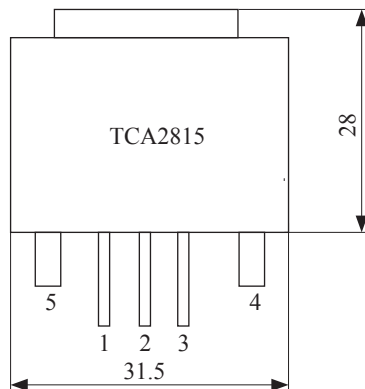
Electric parameters:

Rated input	1~5	A
Input measure range	$I_p \times 120\%$	A
Rated output	0-20; 4-20	mA
	0-5; 1-5	V
Accuracy	1	%
Linearity	0.5	%
Supply voltage($\pm 5\%$)	+12	V
Current consumption	$<48+I_o$	mA
Load capacity	20mA/10V	
Zero offset $T_A=25^{\circ}\text{C}$	$\leq 0.1\text{mA}$ or 10mV	
Response time	<350	ms
Working frequency	50-400	Hz
Weight		g

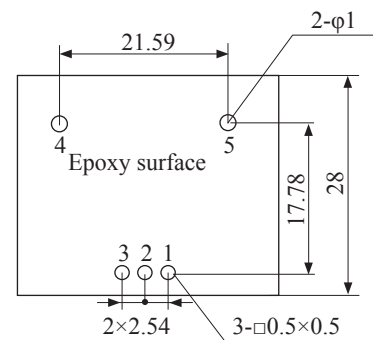
Schematic diagram:



Dimensions (in mm):



Front view



Bottom view