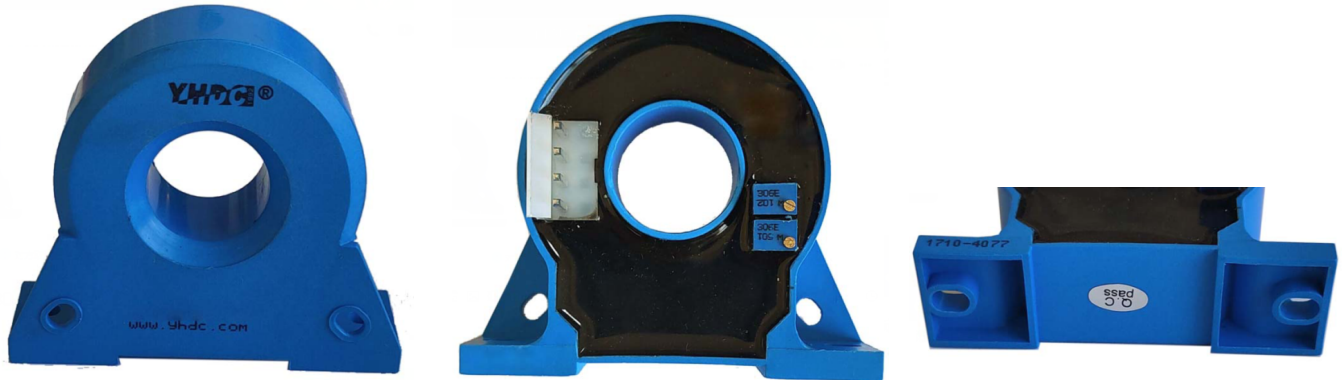


Current Transmitter

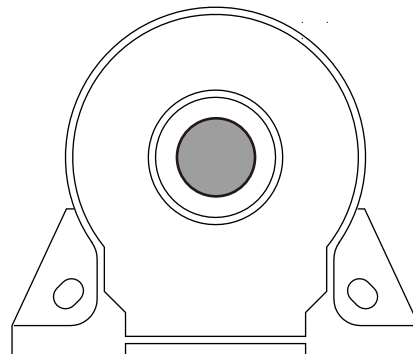
Sub-plate mount, terminal output. Detect AC current. High insulation between primary and secondary circuits.



Installation diagram

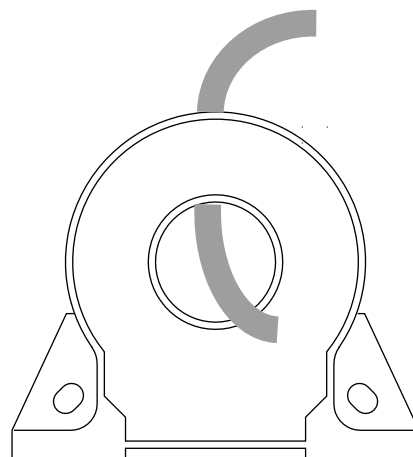
Product features

- Light weight
- Low power consumption
- Good linearity
- No insertion loss
- Fast response time
- Good anti-interference ability



Product application

- Railway
- Metallurgical
- Welding machine
- Robot
- Motor
- Inverter power supply
- Variable frequency governor
- Uninterrupted power supply and communication power supply



Electrical parameters: (The following parameters are typical values and actual values will be subject to product testing)

Remarks

Rated input	50A	100A	200A	Standard input
Input measurement range	60A	120A	240A	Default is 1.2 times the input rating
Rated output	0-20mA/4-20mA/0-5V/1-5V/0-10V			Output one of five 0-10V output +24V power supply
Accuracy	0.5%			
Linearity	0.5%			
Supply voltage ($\pm 5\%$)	+12V / +24V			Supply voltage range $\pm 5\%$
Current consumption	< 35mA			Reference will be subject to the measured
Load impedance	Current type output: 250 Ω (Typification)	Voltage type output: $\geq 10K\Omega$		
Zero offset voltage	Current type output: $\pm 0.08mA$	Voltage type output: $\pm 15mV$		TA=25 $^{\circ}C$
Response time	$\leq 350mS$			Reference will be subject to the measured
weight	88g			Reference will be subject to the measured
Operating temperature	-10 \sim +70 $^{\circ}C$			
Storage temperature	-25 \sim +70 $^{\circ}C$			
Band width	25Hz-1kHz			
Delectric strength	2.5KV 50Hz 1min			

Instruction for use:

1. Correct wiring as indicated
2. Full scale measurement, response time and following the speed for the best
3. Faulty wiring can lead to product damage and output uncertainty

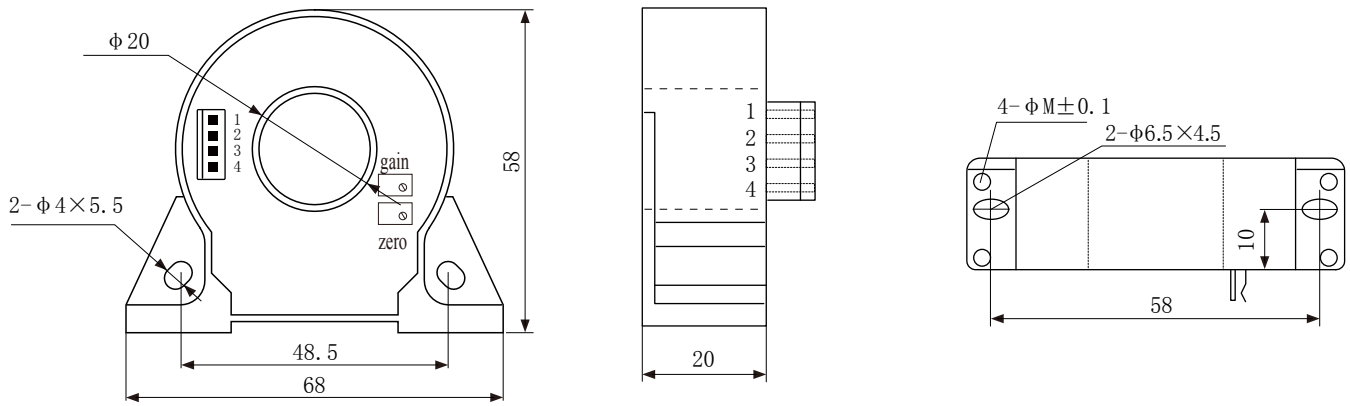
Safe operation:

- *Please read this specification carefully before use.
- *When you need to move the product, please be sure to disconnect the power and all the connected cables.
- *If found shell, devices attached to the fixed parts, wire, or have any damaged, please immediately deal with hidden dangers.
- *If there is any doubt about the safe operation of the equipment, the equipment and the corresponding accessories should be closed immediately, and the fastest time for troubleshooting.

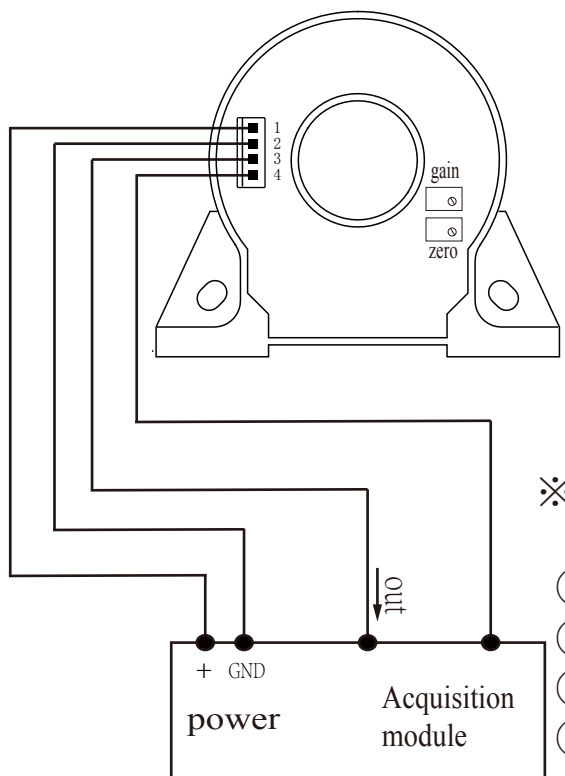
Proclamations:

As our products are constantly being improved and updated, we reserve the right to modify the content of this specification at any time without prior notice.

Dimensions(in mm±0.5) :



Wiring diagram:



Terminal definition:

- 1: +V
- 2: GND
- 3: out
- 4: GND

- ※①The auxiliary power supply with ripple small ($\leq 20\text{mV}$) is selected
- ②Switch on auxiliary power
- ③Auxiliary power is connected to the transmitter
- ④Transmitter detects the primary current
- ⑤Both GND internals are not isolated