

# TAK321 Mini high frequency current transformer **YHDC** 1992

## Product features:

High frequency pulse current detection, switching power supply circuit protection.

## Technical index:

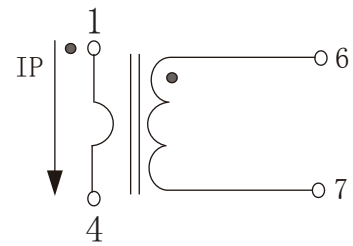
Mounting type: PCB  
 Material of the core: Ferrite  
 Flame resistance: UL94-V0  
 Execution standard: GB1208-2006  
 Operating temperature:  $-20^{\circ}\text{C} \sim +70^{\circ}\text{C}$   
 Storage temperature:  $-30^{\circ}\text{C} \sim +80^{\circ}\text{C}$   
 Frequency range: 2KHz-500KHz  
 Dielectric strength: 3.5KV 50Hz 1min



## Electrical parameters: ( The following parameters are typical values and actual values will be subject to product testing )

Model	TAK321 -005	TAK321 -010	TAK321 -020	unit
Rated input	10	10	10	A
Rated output	200	100	50	mA
Change ratio	1 : 50	1 : 100	1 : 200	turn
Sampling resistance	Select according to the voltage value			$\Omega$
Weight	4			g

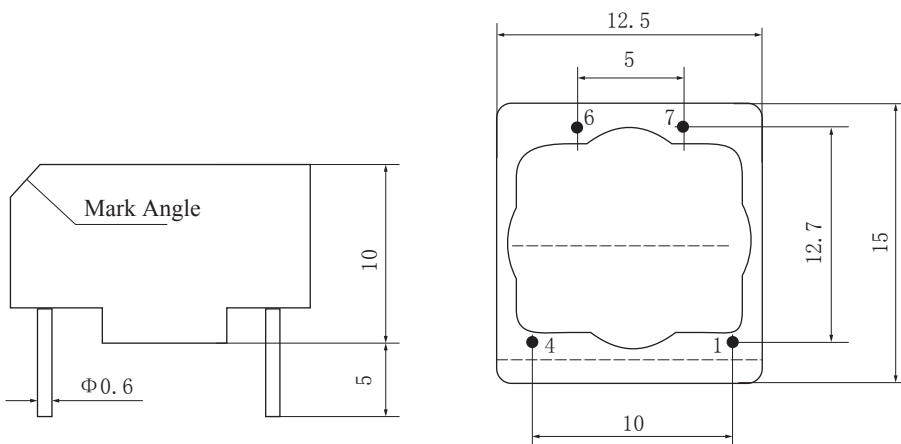
## Schematic Diagram:



Current output type

Subprime is not allowed to open

## Dimensions ( in mm $\pm 0.5$ ) :



Front view

Bottom view

## The statement:

As our products have been continuously improved and updated, we reserve the right to modify the content of this specification at any time.