

TAK22 Mini high frequency current transformer



Product features:

High frequency pulse current detection, switching power supply circuit protection.

Technical index:

Mounting type: Plate mounting

Material of the core: Ferrite

Flame resistance: UL94-V0

Execution standard: GB1208-2006

Operating temperature: $-20^{\circ}\text{C} \sim +70^{\circ}\text{C}$

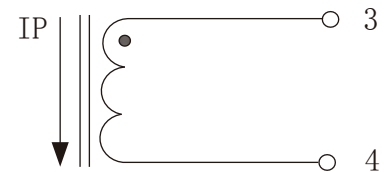
Storage temperature: $-30^{\circ}\text{C} \sim +80^{\circ}\text{C}$

Frequency range: 2KHz-500KHz

Dielectric strength: 3.5KV 50Hz 1min



Schematic Diagram:



Current output type

Subprime is not allowed to open

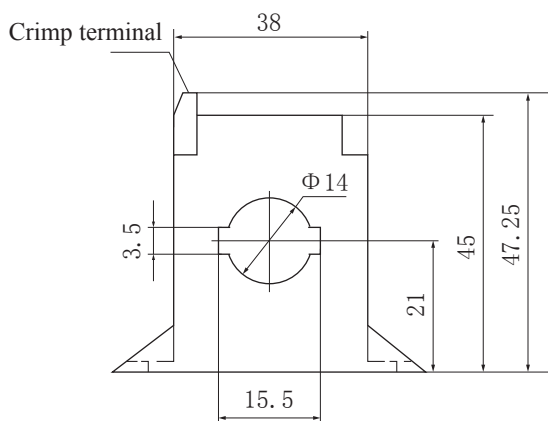
Electrical parameters: (The following parameters are typical values and actual values will be subject to product testing)

Model	TAK22-005	TAK22-01	TAK22-02	TAK22-03	TAK22-04	TAK22-05	TAK22-100	unit
Rated input	50	50	80	90	100	100	100	A
Rated output	1A	500	400	300	250	200	100	mA
Change ratio	1:50	1:100	1:200	1:300	1:400	1:500	1:1000	turn
Sampling resistance	Select according to the voltage value							Ω
Weight	70							g

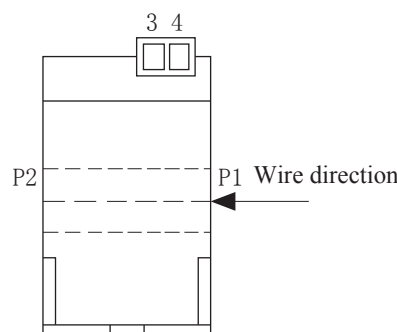
The statement:

As our products have been continuously improved and updated, we reserve the right to modify the content of this specification at any time.

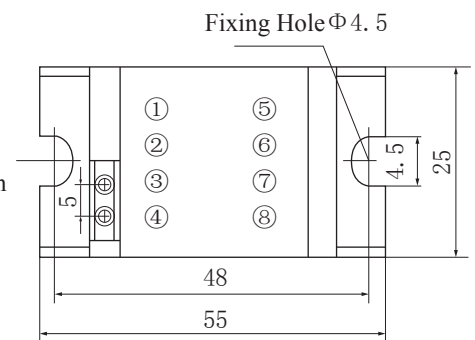
Dimensions (in mm ± 0.5):



Front view



Side view



Top View