

TAK2020FL Mini high frequency current transformer

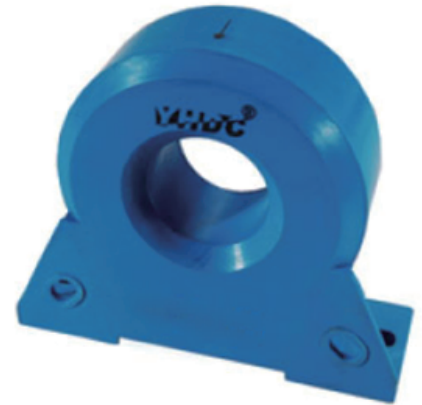


Product features:

Used for high frequency pulse current detection, switching power supply circuit protection.

Technical index:

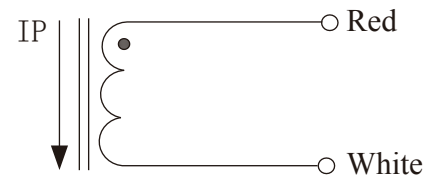
Mounting type: Plate mounting
 Material of the core: Ferrite
 Flame resistance: UL94-V0
 Execution standard: GB1208-2006
 Operating temperature: $-20^{\circ}\text{C} \sim +70^{\circ}\text{C}$
 Storage temperature: $-30^{\circ}\text{C} \sim +80^{\circ}\text{C}$
 Frequency range: 2KHz-500KHz
 Dielectric strength: 3.5KV 50Hz 1min



Electrical parameters: (The following parameters are typical values and actual values will be subject to product testing)

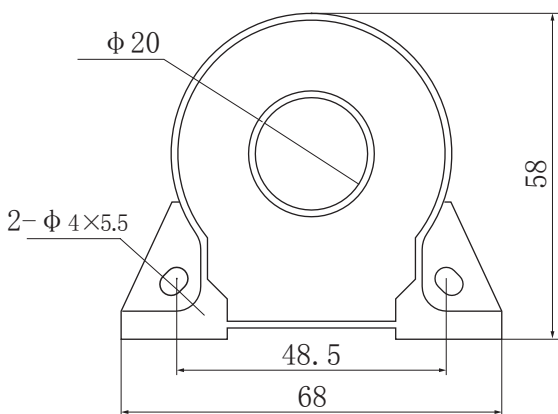
Model	TAK2020FL-002	TAK2020FL-005	TAK2020FL-01	TAK2020FL-02	TAK2020FL-03	TAK2020FL-04	Unit
Rated input	20	50	100	200	300	400	A
Rated output	1	1	1	1	1	1	A
Turns ratio	1:20	1:50	1:100	1:200	1:300	1:400	turn
Sampling resistance	Select according to the voltage value						Ω
Weight	107						g

Schematic diagram:



current output type
 the secondary is not allowed to open

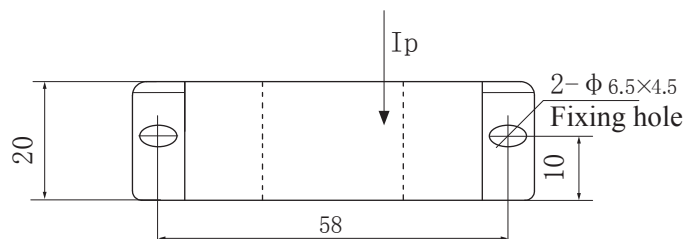
Dimensions (in mm ± 0.5):



Front view

Cable:

Specification: 0.5mm² flexible wire
 Color: Red, White
 Length: 17cm(17~20cm)



Bottom view