

# TAK2020FL Mini high frequency current transformer

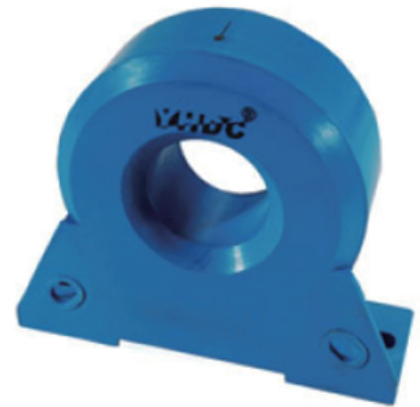


## Product features:

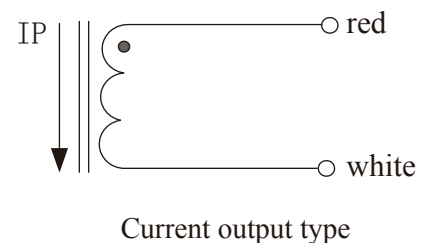
High frequency pulse current detection, switching power supply circuit protection.

## Technical index:

Mounting type: Plate mounting  
 Material of the core: Ferrite  
 Flame resistance: UL94-V0  
 Execution standard: GB1208-2006  
 Operating temperature:  $-35^{\circ}\text{C} \sim +85^{\circ}\text{C}$   
 Storage temperature:  $-45^{\circ}\text{C} \sim +95^{\circ}\text{C}$   
 Frequency range: 2KHz-500KHz  
 Dielectric strength: 3.5KV 50Hz 1min



## Schematic Diagram:



Subprime is not allowed to open

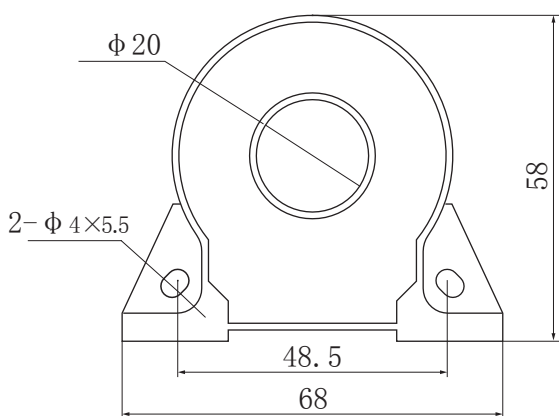
## Electrical parameters: ( The following parameters are typical values and actual values will be subject to product testing )

Model	TAK2020-002	TAK2020-005	TAK2020-01	TAK2020-02	TAK2020-03	TAK2020-04	unit
Rated input	20	50	100	200	300	400	A
Rated output	1	1	1	1	1	1	A
Change ratio	1:20	1:50	1:100	1:200	1:300	1:400	turn
Sampling resistance	Select according to the voltage value						$\Omega$
Weight	107						g

## The statement:

As our products have been continuously improved and updated, we reserve the right to modify the content of this specification at any time.

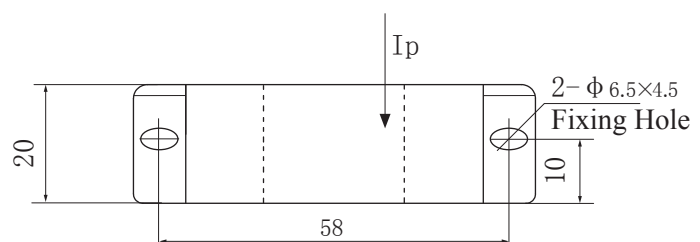
## Dimensions (in mm $\pm 0.5$ ) :



Front view

## Cable:

Leading wire specification: 0.3mm<sup>2</sup> cord  
 Cable color: red, white  
 Cable length: 40cm



Bottom view