

TA8432L



Characteristics:

Suspended mounting, high overload capacity. Electronics, electric power equipment current monitoring. Electric control system of current signal input. Phase loss monitoring. Monitoring the motor working condition.

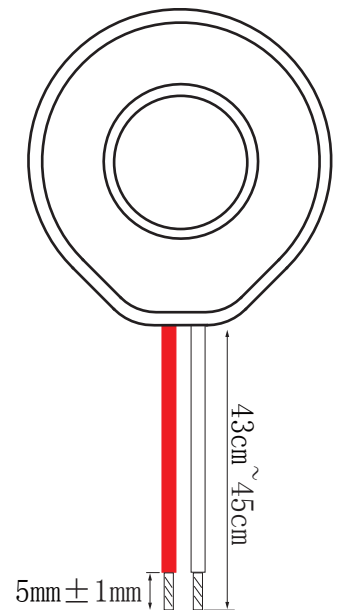
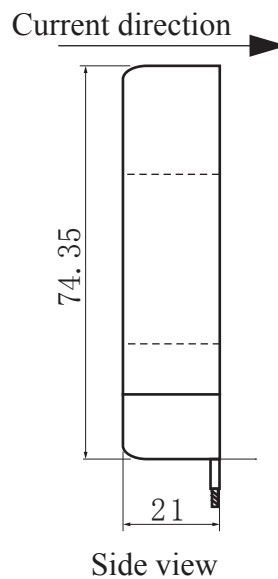
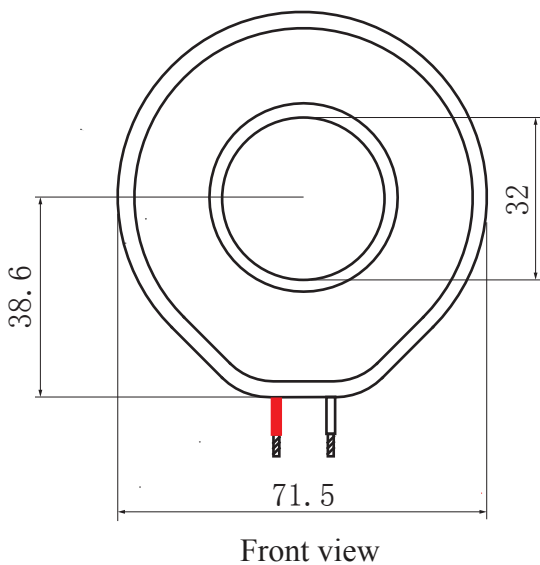
Technical index:

Suspended mounting, output with cable
 Material of the core: Nanocrystalline
 Flame resistance: UL94-V0
 Execution standard: GB20840-2014
 Operating temperature: -20°C ~ +70°C
 Storage temperature: -30°C ~ +80°C
 Frequency range: 20HZ-20KHz
 Dielectric strength: 6KV 50Hz 1min

Electrical parameters:

Model	TA8432L				Unit
Rated input	200	300	500	600	A
Rated output	0.2	0.15	0.2	0.2	A
Turns ratio	1:1000	1:2000	1:2500	1:3000	
Linearity	≤0.5	≤0.5	≤0.5	≤0.5	%
sampling resistance	20	100	100	100	Ω
Weight	148	148	148	148	g

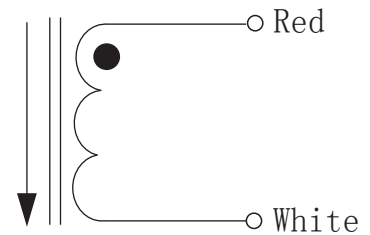
Dimensions (in mm±0.5) :



Product picture :(the printed words are for reference only, subject to the actual product)



Schematic diagram:



Specifications of lead wire:

0.3 mm² red and white soft line

The length of lead wire: 43cm ~ 45cm

Color of lead wire: Red, White