

Suspended type current transformer



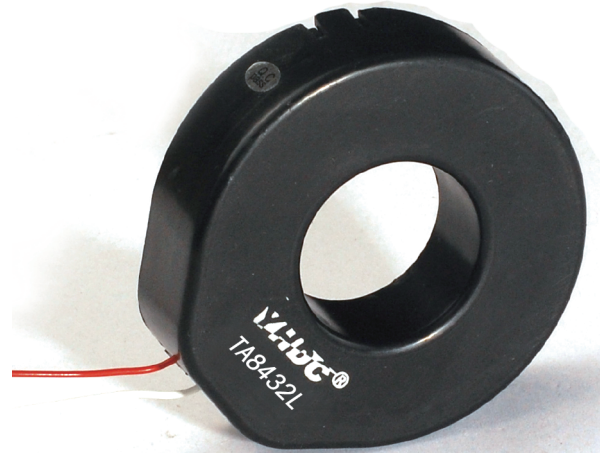
Model:TA8432L

Characteristics:

SSuspended mounting, high overload capacity. Electronics, electric power equipment current monitoring. Electric control system of current signal input. Phase loss monitoring. Monitoring the motor working condition.

Technical index:

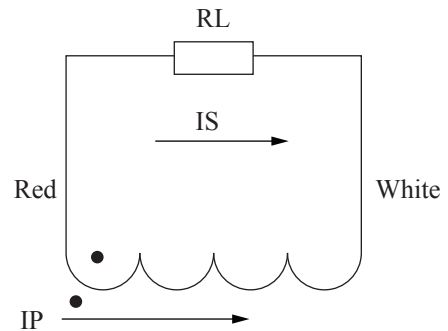
Suspended mounting, output with cable
 Material of the core: Silicon steel sheet
 Flame resistance: UL94-V0
 Execution standard: GB1208-2006
 Operating temperature: -20°C ~ +75°C
 Storage temperature: -30°C ~ +80°C
 Frequency range: 50Hz ~ 60Hz
 Dielectric strength: 6KV 50Hz 1min



Electrical parameters:

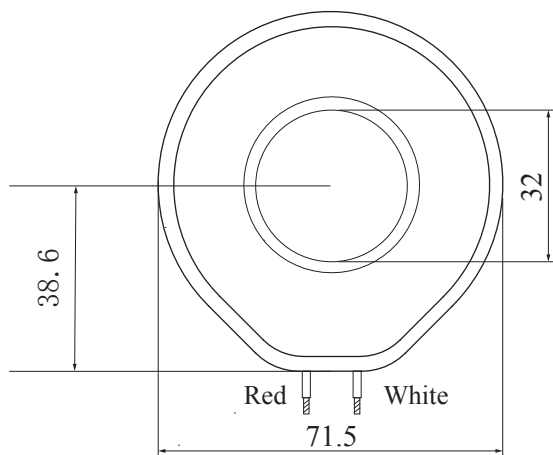
Rated input	0-500	A
Max.input		A
Rated output	0-0.2	A
Turns ratio	1: 2500	
Accuracy	±1	%
Linearity	0.5	%
Phase difference		
max: Max. sampling resistance	100	Ω
Weight	198	g

Schematic diagram:

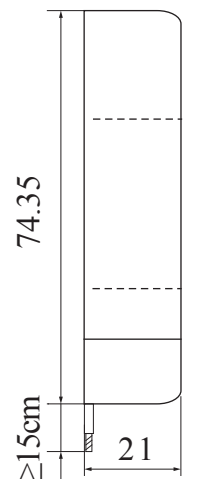


0.35mm² red and white high-temperature wire, lead 43cm

Dimensions (in mm) :



Front view



Side view