

# Suspended type current transformer



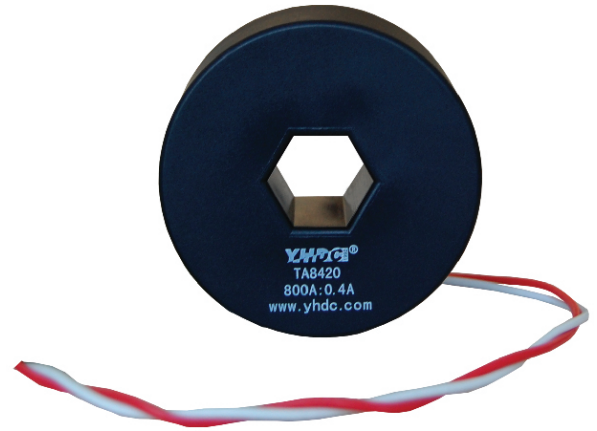
Model:TA8420L

## Characteristics:

Suspended mounting, high overload capacity. Electronics, electric power equipment current monitoring. Electric control system of current signal input. Phase loss monitoring. Monitoring the motor working condition.

## Technical index:

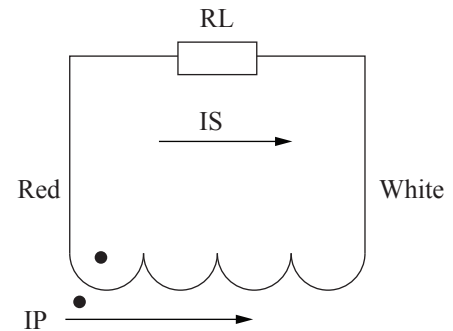
Material of the core: Silicon steel sheet  
 Flame resistance: UL94-V0  
 Execution standard: GB1208-2006  
 Operating temperature:  $-20^{\circ}\text{C} \sim +75^{\circ}\text{C}$   
 Storage temperature:  $-30^{\circ}\text{C} \sim +80^{\circ}\text{C}$   
 Frequency range: 50Hz ~ 60Hz  
 Dielectric strength: 6KV 50Hz 1min



## Electrical parameters:

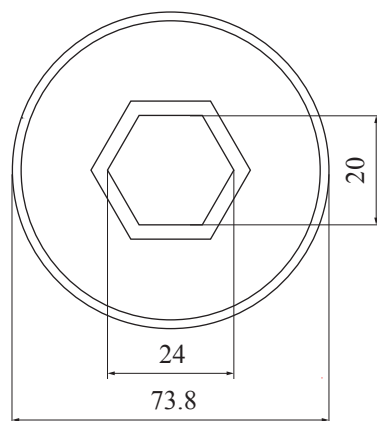
Rated input	0-800	A
Max.input		A
Rated output	0-0.2	A
Turns ratio	1: 4000	
Accuracy	$\pm 1$	%
Linearity	0.5	%
Phase difference		
max: Max. sampling resistance	100	$\Omega$
Weight		g

## Schematic diagram:

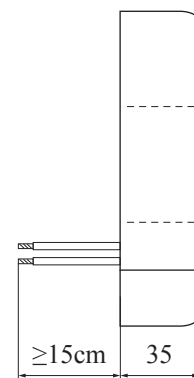


0.3 was red, white and soft line, lead to 40 cm

## Dimensions (in mm) :



Front view



Side view