

# Suspended type current transformer



Model:TA8419L

## Characteristics:

Suspended mounting, high overload capacity. Electronics, electric power equipment current monitoring. Electric control system of current signal input. Phase loss monitoring. Monitoring the motor working condition.

## Technical index:

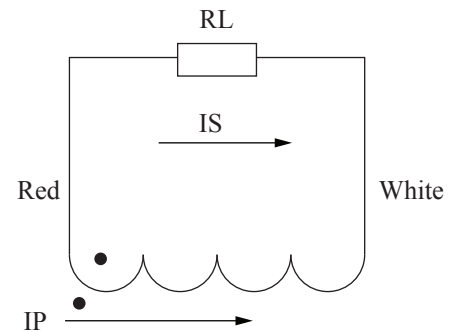
Suspended mounting, output with cable  
 Material of the core: Silicon steel sheet  
 Flame resistance: UL94-V0  
 Execution standard: GB1208-2006  
 Operating temperature:  $-20^{\circ}\text{C} \sim +75^{\circ}\text{C}$   
 Storage temperature:  $-30^{\circ}\text{C} \sim +80^{\circ}\text{C}$   
 Frequency range:  $50\text{Hz} \sim 60\text{Hz}$   
 Dielectric strength: 6KV 50Hz 1min



## Electrical parameters:

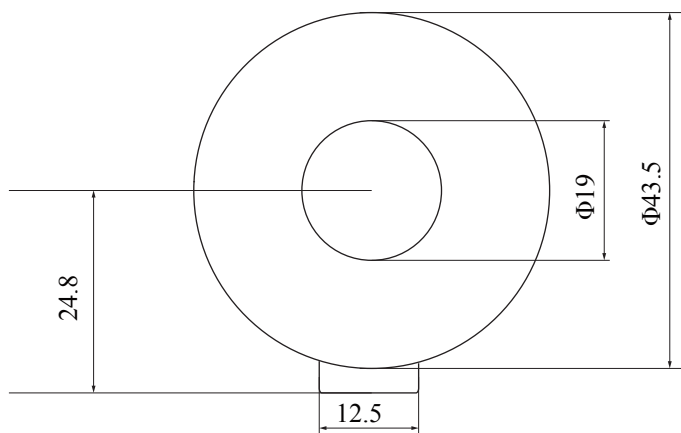
Rated input	0-200	A
Max.input		A
Rated output	0-0.08	A
Turns ratio	1: 2500	
Accuracy	$\pm 1$	%
Linearity	0.2	%
Phase difference		
max: Max. sampling resistance	100	$\Omega$
Weight	68	g

## Schematic diagram:

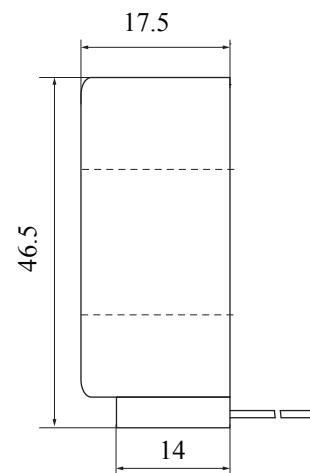


0.3mm<sup>2</sup> red and white soft line, lead to 40 cm

## Dimensions (in mm) :



Front view



Side view