

Suspended type current transformer



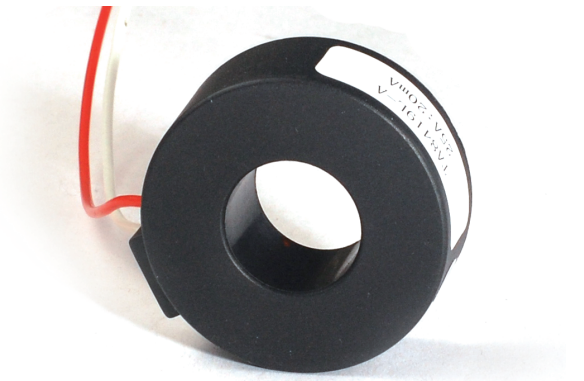
Model:TA8419L

Characteristics:

Suspended mounting, high overload capacity. Electronics, electric power equipment current monitoring. Electric control system of current signal input. Phase loss monitoring. Monitoring the motor working condition.

Technical index:

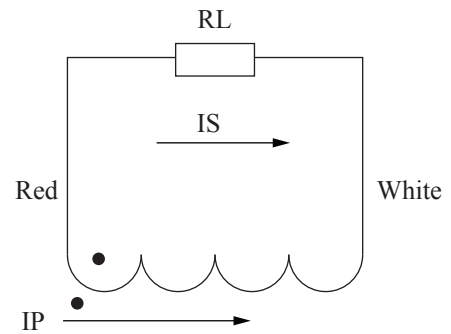
Suspended mounting, output with cable
 Material of the core: Silicon steel sheet
 Flame resistance: UL94-V0
 Execution standard: GB1208-2006
 Operating temperature: -20°C ~ +75°C
 Storage temperature: -30°C ~ +80°C
 Frequency range: 50Hz ~ 60Hz
 Dielectric strength: 6KV 50Hz 1min



Electrical parameters:

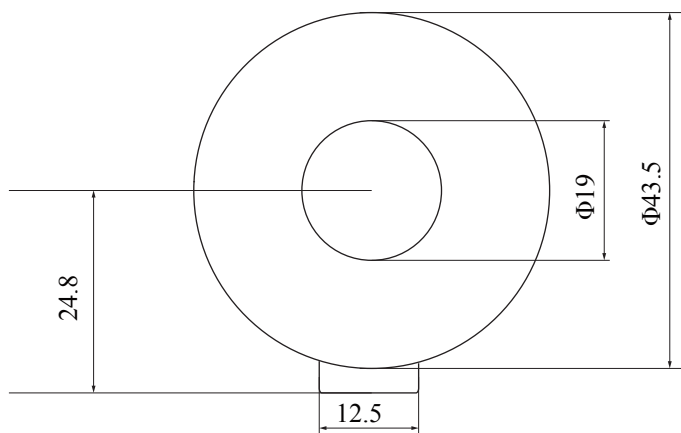
Rated input	0-100	A
Max.input		A
Rated output	0-0.05	A
Turns ratio	1: 2000	
Accuracy	±1	%
Linearity	0.2	%
Phase difference		
max: Max. sampling resistance	100	Ω
Weight	68	g

Schematic diagram:

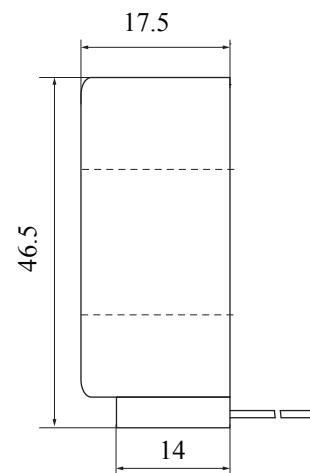


0.3mm² red and white soft line, lead to 40 cm

Dimensions (in mm) :



Front view



Side view