

Suspended type current transformer



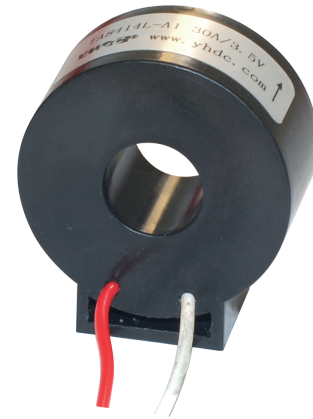
Model:TA8414L

Characteristics:

High accuracy, good consistency. simple circuit, without external power supply, perform reliably. Current and voltage transformation in place at a time, Directly change the measured current isolation to voltage output.

Technical index:

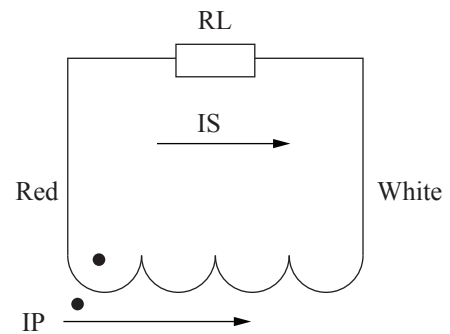
Suspended mounting, output with cable
Material of the core: Nanocrystalline
Flame resistance: UL94-V0
Operating temperature: $-20^{\circ}\text{C} \sim +75^{\circ}\text{C}$
Storage temperature: $-30^{\circ}\text{C} \sim +80^{\circ}\text{C}$
Frequency range: 50Hz \sim 2000Hz
Dielectric strength: 5KV 50Hz 1min



Electrical parameters:

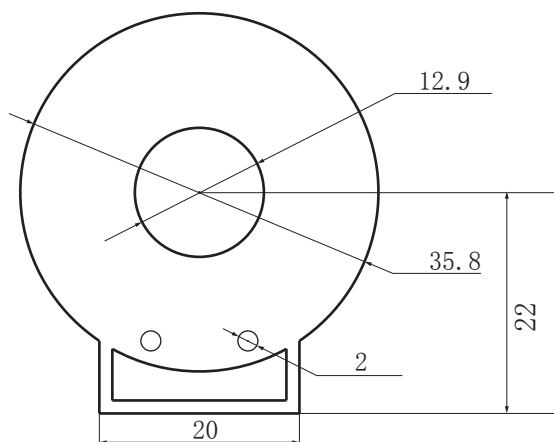
Rated input	30、45、60	A
Max. input	36、54、72	A
Rated output	0-3.53	V
Accuracy	1	%
Linearity	0.2	%
Phase difference	$0^{\circ} - 10^{\circ}$	
Weight		g

Schematic diagram:

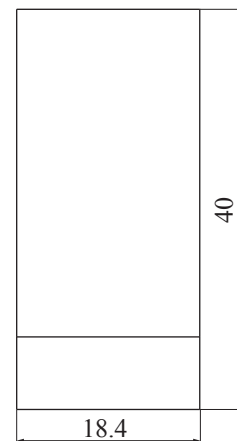


0.3 mm² red and white soft line, lead to 23 cm

Dimensions (in mm) :



Front view



Side view