

Characteristics:

Suspended mounting, high overload capacity. Electronics and electric power equipment current monitoring, electric control system current signal input, phase loss monitoring, monitoring the motor working status.

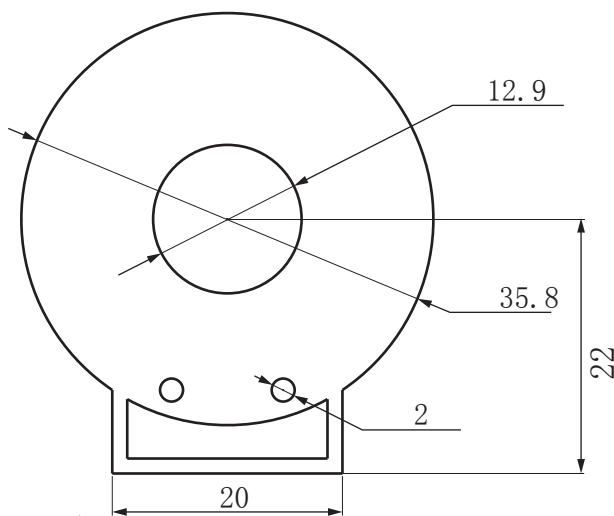
Technical index:

Mounting type: Suspended
 Material of the core: Nanocrystalline
 Flame resistance: UL94-V0
 Execution standard: GB20840-2014
 Operating temperature: -20°C ~ +70°C
 Storage temperature: -30°C ~ +80°C
 Frequency range: 20HZ-20KHz
 Dielectric strength: 5KV 50Hz 1min

Electrical parameters:

Model	TA8414L			Unit
Rated input	30	45	60	A
Rated output	3.53			V
Accuracy	1			%
Weight	43			g

Dimensions (in mm±0.5) :

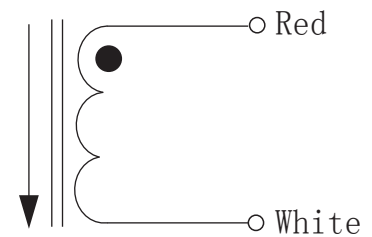


Front view

Product picture :(the printed words are for reference only, subject to the actual product)

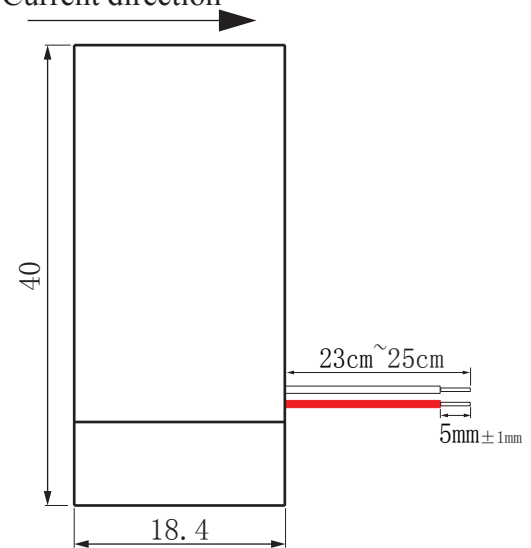


Schematic diagram:



Specifications of lead wire:
 0.3 mm² high-temperature wire
 Length : 23cm ~ 25cm
 Color : Red, White

Current direction



Side view