

Model:TA8351B

Characteristics:

PCB welding output. Fully enclosed, Nanocrystalline core.

Technical index:

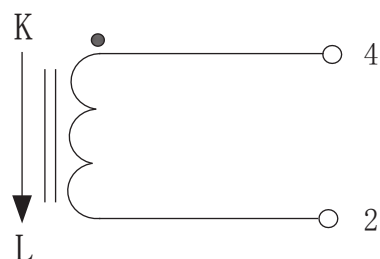
- Mounting type: PCB
- Material of the core: Nanocrystalline
- Flame resistance: UL94-V0
- Execution standard: GB1208-2006
- Operating temperature: $-20^{\circ}\text{C} \sim +75^{\circ}\text{C}$
- Storage temperature: $-30^{\circ}\text{C} \sim +80^{\circ}\text{C}$
- Frequency range: 20Hz-20KHz
- Dielectric strength: $\geq 3.5\text{KV}$ 50Hz 1min



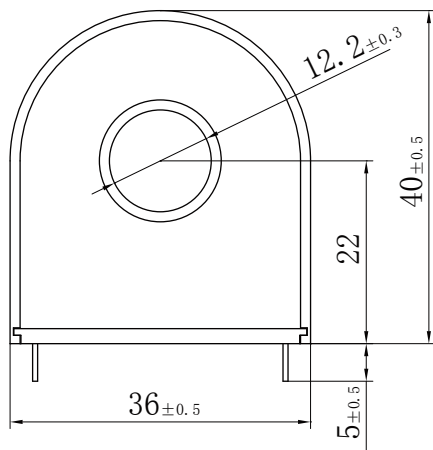
Electrical parameters:

| | | |
|-------------------------------|------------|----------|
| Rated input | 100 | A |
| Max.input | 120 | A |
| Rated output | 50 | mA |
| Turns ratio | 1: 2000 | |
| Accuracy | ± 1 | % |
| Linearity | ≤ 0.1 | % |
| Phase difference | | |
| max: Max. sampling resistance | 20 | Ω |
| Weight | 75 | g |

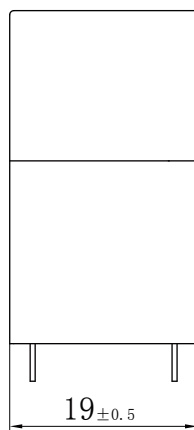
Schematic diagram:



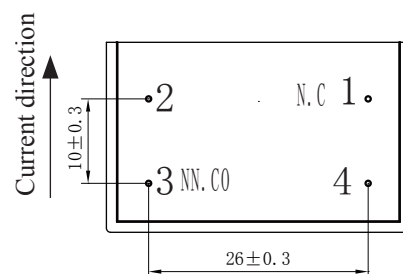
Dimensions (in mm) :



Front view



Side view



Bottom view