

Model:TA8351B

Characteristics:

PCB welding output. Fully enclosed, Nanocrystalline core.

Technical index:

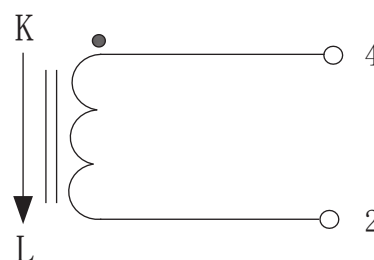
- Mounting type: PCB
- Material of the core: Nanocrystalline
- Flame resistance: UL94-V0
- Execution standard: GB1208-2006
- Operating temperature: $-20^{\circ}\text{C} \sim +75^{\circ}\text{C}$
- Storage temperature: $-30^{\circ}\text{C} \sim +80^{\circ}\text{C}$
- Frequency range: 20Hz-20KHz
- Dielectric strength: $\geq 3.5\text{KV } 50\text{Hz } 1\text{min}$



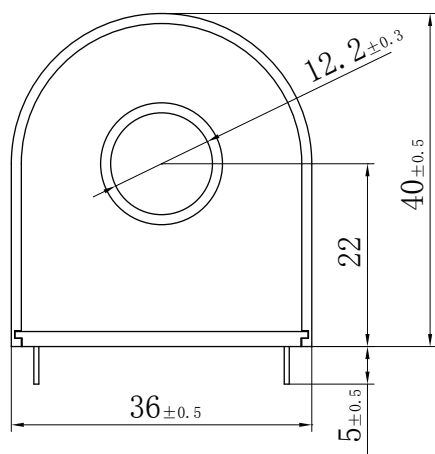
Electrical parameters:

Rated input	0-100	A
Max.input	120	A
Rated output	33.3	mA
Turns ratio	1: 3000	
Accuracy	± 1	%
Linearity	≤ 0.1	%
Phase difference		
max: Max. sampling resistance	30	Ω
Weight	75	g

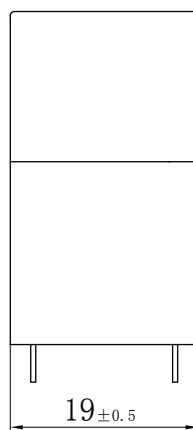
Schematic diagram:



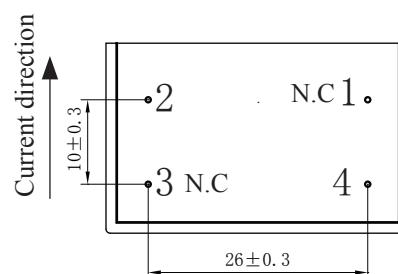
Dimensions (in mm) :



Front view



Side view



Bottom view