

# Through core type precision current transformer



Model:TA8351

**Characteristics:**

PCB welding output. Fully enclosed, Nanocrystalline core.

**Technical index:**

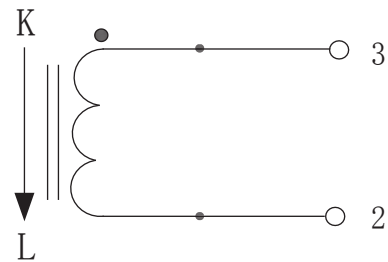
- Mounting type: PCB
- Material of the core: Nanocrystalline
- Flame resistance: UL94-V0
- Execution standard: GB1208-2006
- Operating temperature: -20°C ~ +75°C
- Storage temperature: -30°C ~ +80°C
- Frequency range: 20Hz-20KHz
- Dielectric strength: ≥3.5KV 50Hz 1min



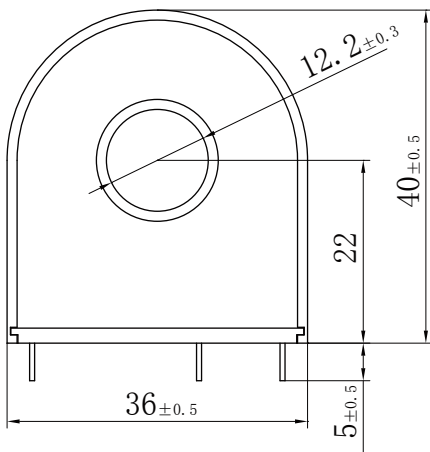
**Electrical parameters:**

Rated input	100	A
Max.input	120	A
Rated output	50	mA
Turns ratio	1: 2000	
Accuracy	±1	%
Linearity	≤0.1	%
Phase difference		
max: Max. sampling resistance	20	Ω
Weight	75	g

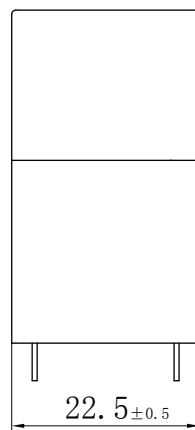
**Schematic diagram:**



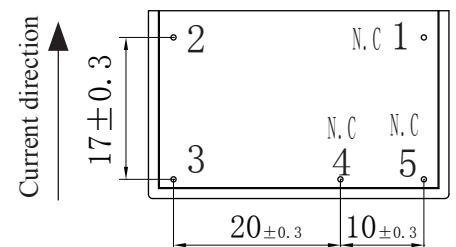
**Dimensions (in mm) :**



Front view



Side view



Bottom view