

Through core type precision current transformer



Model:TA8350-250

Characteristics:

Epoxy resin encapsulated, mini outline size, fully enclosed.

Technical index:

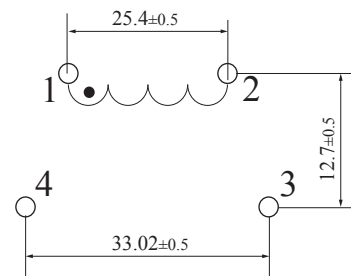
- Mounting type: PCB
- Material of the core: Nanocrystalline
- Flame resistance: UL94-V0
- Execution standard: GB1208-2006
- Operating temperature: -20°C~+75°C
- Storage temperature: -30°C~+80°C
- Frequency range: 20Hz-20KHz
- Dielectric strength: ≥3.5KV 50Hz 1min



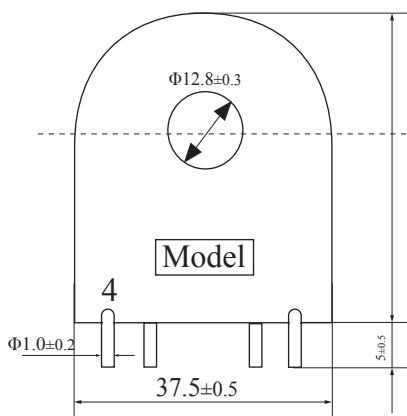
Electrical parameters:

Rated input	0-60	A
Max.input	240	A
Rated output	0-24	mA
Turns ratio	1: 2500	
Accuracy	±1	%
Linearity	≤0.2	%
Phase difference	≤15°	
max: Max. sampling resistance	300	Ω
Weight	42	g

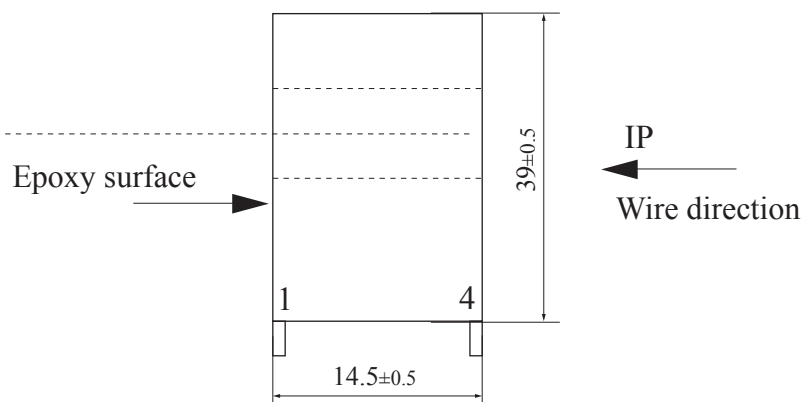
Schematic diagram:



Dimensions (in mm) :



Front view



Side view