

### Characteristics:

Directly fixed on the copper platoon of 62 x9, fully enclosed, mechanical and environmental with excellent performance, strong capability of voltage isolation, safe and reliable.

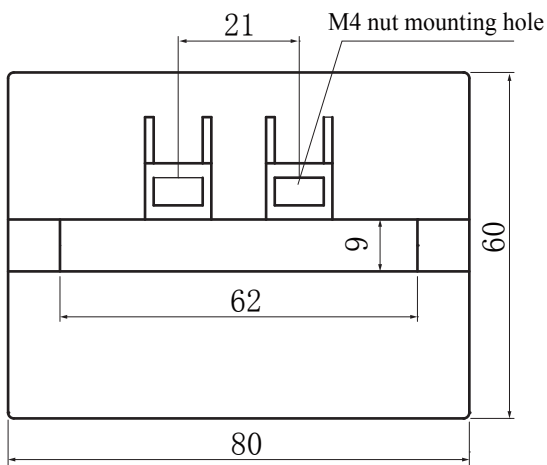
### Technical index:

- Suspended mounting, output with cable
- Material of the core: Silicon steel sheet
- Flame resistance: UL94-V0
- Execution standard: GB20840-2014
- Operating temperature: -20°C ~ +70°C
- Storage temperature: -30°C ~ +80°C
- Frequency range: 50HZ-60Hz
- Dielectric strength: 6KV 50Hz 1min

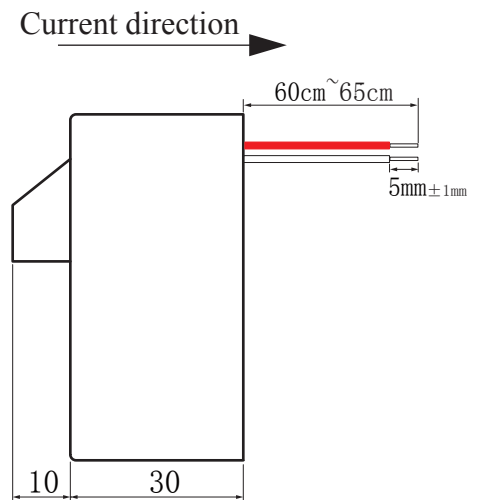
### Electrical parameters:

Model	TA6209L				unit
Rated input	600	600	800	800	A
Rated output	0.1	0.2	0.1	0.2	A
Turns ratio	1:6000	1:3000	1:8000	1:4000	
Linearity	≤0.5	≤0.5	≤0.5	≤0.5	%
sampling resistance	60	20	100	25	Ω
Weight	343	343	343	343	g

### Dimensions (in mm) :



Front view

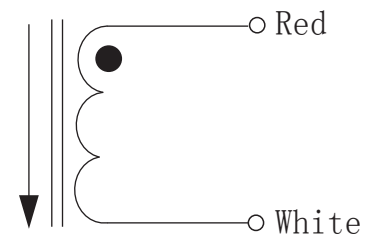


Side view

Product picture :(the printed words are for reference only, subject to the actual product)



### Schematic diagram:



Specifications of lead wire:

0.5mm<sup>2</sup> red and white high-temperature wire,

The length of lead wire: 60cm ~ 65cm

Color of lead wire: Red, White