

# TA4020FZ Through core type precision current transformer **YHDC** 1992®

## Characteristics:

Vacuum epoxy encapsulated, silicon steel sheet core, small size, fully enclosed, electrical load remote monitoring, as the input signal of the electronic control system, phase loss indication, electricity measurement, motor running state monitoring.

## Technical index:

- Mounting type: PCB welding
- Material of the core: Silicon steel sheet
- Flame resistance: UL94-V0
- Execution standard: GB20840-2014
- Operating temperature: -20°C ~ +70°C
- Storage temperature: -30°C ~ +80°C
- Frequency range: 50Hz-60Hz
- Dielectric strength: 3.5KV 50Hz 1min

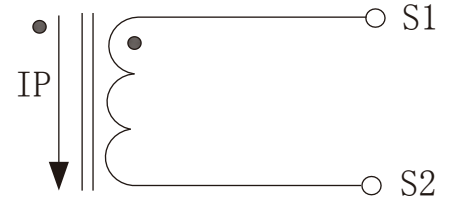
Product picture : (the printed words are for reference only, subject to the actual product)



**Electrical parameters :** (The following parameters are typical values and actual values will be subject to product testing)

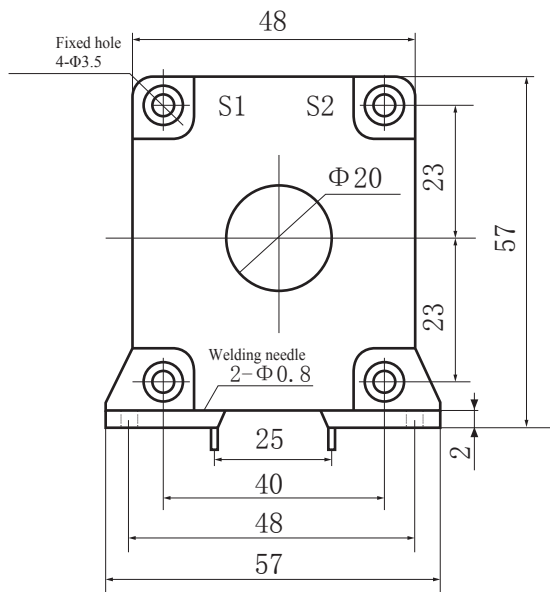
Model	TA4020FZ			Unit
Rated input	200	300	300	A
Rated output	200	150	100	mA
Turns ratio	1: 1000	1: 2000	1: 3000	
Linearity	≤ 0.5	≤ 0.5	≤ 0.5	%
Sampling resistance	10	15	20	Ω
Weight	84			g

## Schematic diagram:

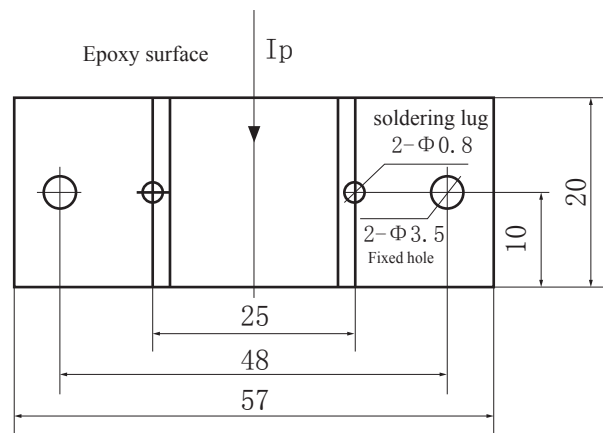


current output type  
the secondary is not allowed to open

## Dimensions (in mm ± 0.5) :



Front view



Bottom view