

Characteristics:

Directly fixed on the copper platoon of 30 x6, fully enclosed, mechanical and environmental with excellent performance, strong capability of voltage isolation, safe and reliable.

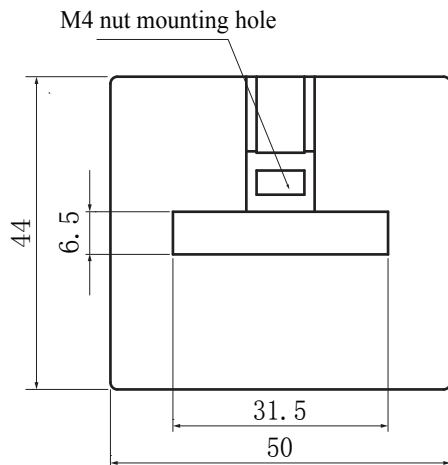
Technical index:

Suspended mounting, output with cable
 Material of the core: Silicon steel sheet
 Flame resistance: UL94-V0
 Execution standard: GB20840-2014
 Operating temperature: -20°C ~ +70°C
 Storage temperature: -30°C ~ +80°C
 Frequency range: 50HZ-60Hz
 Dielectric strength: 6KV 50Hz 1min

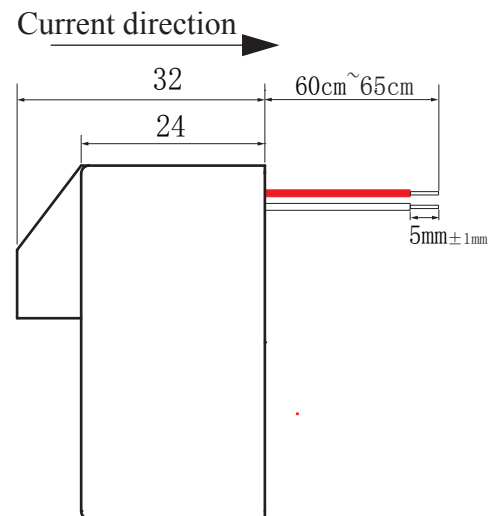
Electrical parameters:

Model	TA3106L				unit
Rated input	200	400	400	400	A
Rated output	0.2	0.2	0.133	0.1	A
Turns ratio	1:500	1:2000	1:3000	1:4000	
Linearity	≤0.5	≤0.5	≤0.5	≤0.5	%
sampling resistance	20	40	60	80	Ω
Weight	150	150	150	150	g

Dimensions (in mm) :

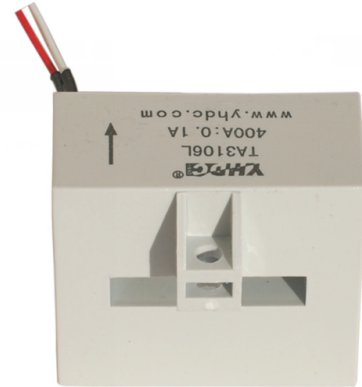


Front view

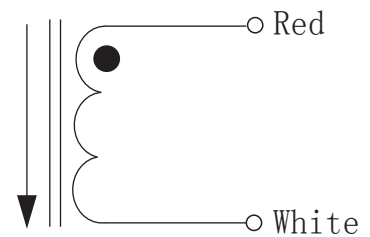


Side view

Product picture :(the printed words are for reference only, subject to the actual product)



Schematic diagram:



Specifications of lead wire:

0.5mm² red and white high-temperature wire,

The length of lead wire: 60cm ~ 65cm

Color of lead wire: Red, White