

TA3015FL Through core type precision current transformer **YHDC**® 1992

Characteristics:

Epoxy potting, silicon steel core, small size, fully enclosed, electrical load remote monitoring, as the input signal of the electronic control system, phase loss indication, electricity measurement, motor running state monitoring.

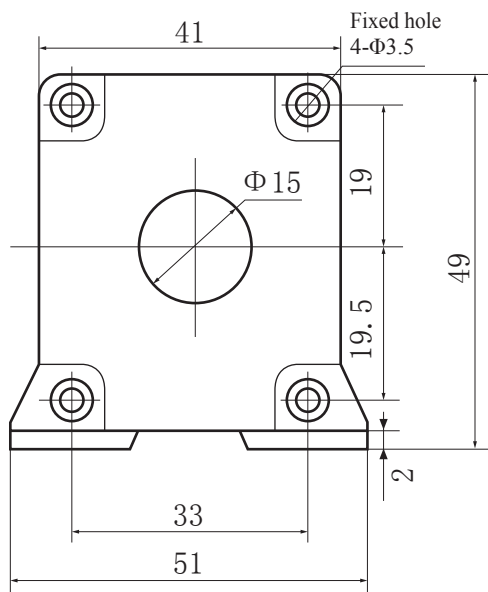
Technical index:

- Mounting type: Plate installation
- Material of the core: Silicon steel sheet
- Flame resistance: UL94-V0
- Execution standard: GB20840-2014
- Operating temperature: -20°C~+70°C
- Storage temperature: -30°C~+80°C
- Frequency range: 50Hz-60Hz
- Dielectric strength: 3.5KV 50Hz 1min

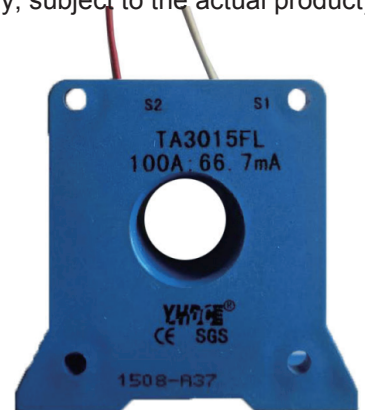
Electrical parameters: (The following parameters are typical values and actual values will be subject to product testing)

Model	TA3015FL			Unit
Rated input	150	200	200	A
Rated output	150	100	200	mA
Turns ratio	1: 1000	1: 2000	1: 1000	
Linearity	≤0.5	≤0.5	≤0.5	%
Sampling resistance	10	15	20	Ω
Weight	79			g

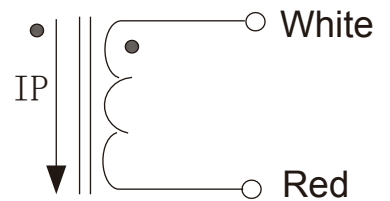
Dimensions (in mm±0.5) :



Product picture : (the printed words are for reference only, subject to the actual product)



Schematic diagram:



current output type.

the secondary is not allowed to open.

Specifications of lead wire/color/length:

Specifications of lead wire: 0.35mm² Red and white
high temperature wire

color of lead wire: Red, White

length of lead wire: 20cm (20~22cm)

