

# TA2515BZ Primary core built-in type current transformer **YHDC** 1992<sup>®</sup>

## Characteristics:

Built-in primary coil, strong overload capacity, used for over-current/under-current measurement, leakage current detection, current metering, power monitoring, current feedback.

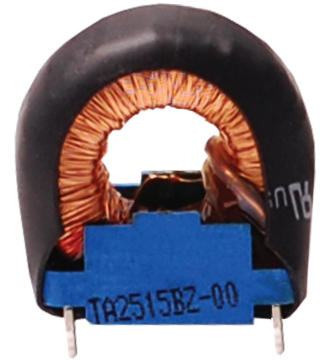
## Technical index:

- Mounting type: PCB
- Material of the core: Silicon steel sheet
- Flame resistance: UL94-V0
- Execution standard: GB20840-2014
- Operating temperature: -20°C ~ +70°C
- Storage temperature: -30°C ~ +80°C
- Frequency range: 50Hz-60Hz
- Dielectric strength: 2.5KV 50Hz 1min

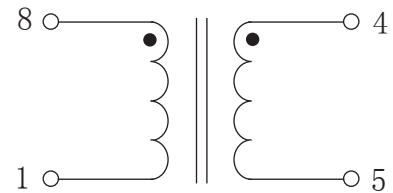
**Electrical parameters:** ( The following parameters are typical values and actual values will be subject to product testing )

Model	TA2515BZ -00	TA2515BZ -01	TA2515BZ -02	Unit
Rated input	5	5	5	A
Rated output	20	10	5	mA
Turns ratio	2: 500	2: 1000	2: 2000	
Linearity	≤ 0.5	≤ 0.5	≤ 0.5	%
Sampling resistance	40	500	1200	Ω
Weight	28			g

Product picture : (the printed words are for reference only, subject to the actual product)

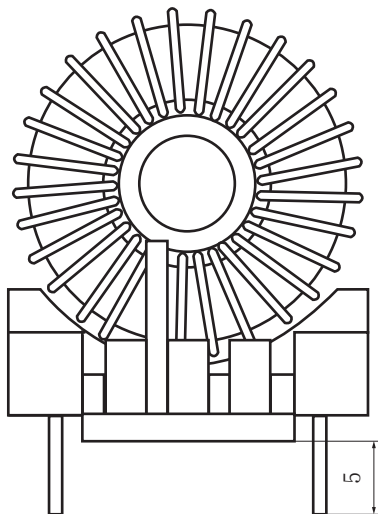


## Schematic diagram:

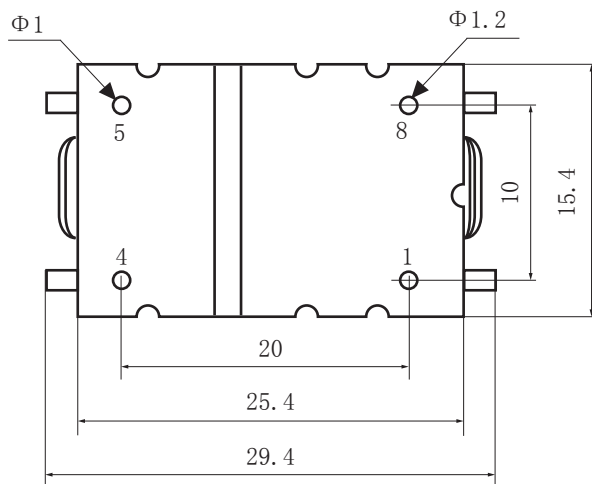


current output type.  
the secondary is not allowed to open.

## Dimensions (in mm±0.5) :



Front view



Bottom view