

TA1813 Primary core built-in type current transformer **YHDC** 1992[®]

Characteristics:

Epoxy potting, ultra-fine crystal core, small size, fully enclosed, remote monitoring of electrical load, As the input signal of electronic control system, phase loss indication, electric quantity measurement, motor running state monitoring.

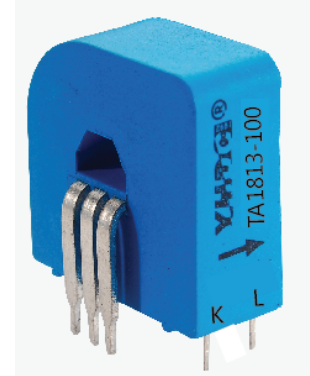
Technical index:

Mounting type: PCB
 Material of the core: Nanocrystalline
 Flame resistance: UL94-V0
 Execution standard: GB20840-2014
 Operating temperature: $-20^{\circ}\text{C} \sim +70^{\circ}\text{C}$
 Storage temperature: $-30^{\circ}\text{C} \sim +80^{\circ}\text{C}$
 Frequency range: 20Hz-20KHz
 Dielectric strength: 3KV 50Hz 1min(Input/output)

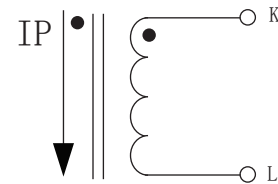
Electrical parameters: (The following parameters are typical values and actual values will be subject to product testing)

Model	TA1813 -100	TA1813 -150	TA1813 -250	Unit
Rated input	6	15	25	A
Rated output	6	10	10	mA
Turns ratio	1: 1000	1: 1500	1: 2500	
Linearity	≤ 0.1	≤ 0.1	≤ 0.1	%
Sampling resistance	100	200	300	Ω
Weight	11			g

Product picture : (the printed words are for reference only, subject to the actual product)

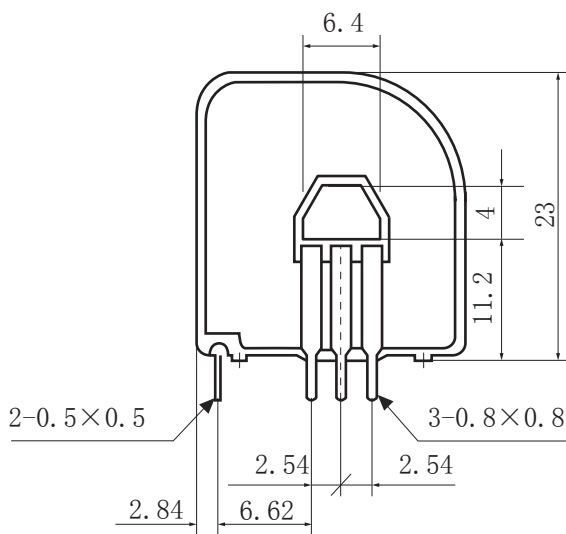


Schematic diagram:

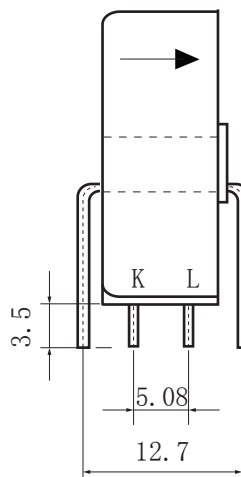


current output type.
 the secondary is not allowed to open.

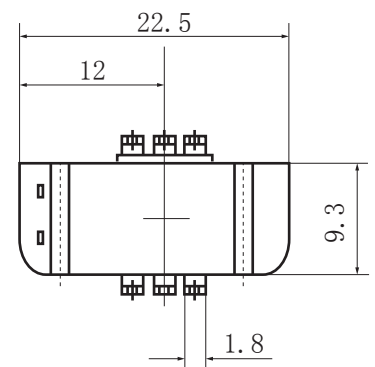
Dimensions (in mm ± 0.5) :



Front view



Side view



Bottom view