

TA17L Through core type precision current transformer



Characteristics:

Epoxy resin encapsulated, Nanocrystalline core, mini outline size, fully enclosed. Electrical load remote monitoring, as the input signal of electric control system, lack of phase indicating, electrical energy measuring, motor monitoring.

Technical index:

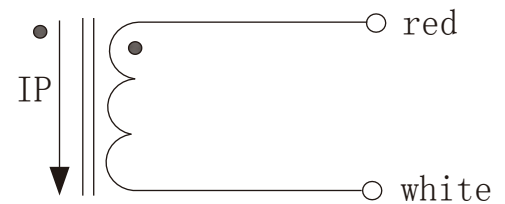
- Mounting type: PCB
- Material of the core: Nanocrystalline
- Flame resistance: UL94-V0
- Execution standard: GB20840-2014
- Operating temperature: -30°C ~ +75°C
- Storage temperature: -45°C ~ +80°C
- Frequency range: 20Hz-20KHz
- Dielectric strength: ≥3.5KV 50Hz 1min



Electrical parameters: (The following parameters are typical values and actual values will be subject to product testing)

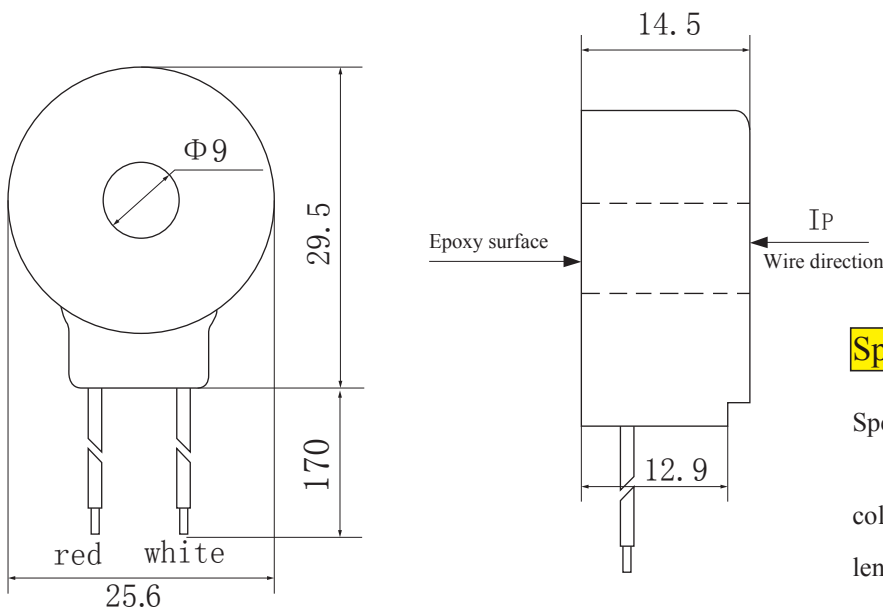
Model	TA17L-03	TA17L-04	TA17L-05	Unit
Rated input	10	20	30	A
Rated output	10	10	10	mA
Turns ratio	1: 1000	1: 2000	1: 3000	
Linearity	≤0.2	≤0.2	≤0.2	%
Sampling resistance	50	300	450	Ω
Weight	18	18	18	g

Schematic diagram:



current output type.
the secondary is not allowed to open.

Dimensions (in mm ± 0.5) :



Specifications of lead wire/color/length:

Specifications of lead wire: 0.3mm² Red and white high temperature wire
color of lead wire: Red, White
length of lead wire: 17cm (17~18cm)