

TA16 Bus-bar built-in type precision current transformer **YHDC** 1992®

Characteristics:

Epoxy encapsulated, ultramicrystal core, small size, fully enclosed, electrical load remote monitoring, as the input signal of electric control system, lack of phase indicating, electrical energy measuring, motor running state monitoring.

Technical index:

- Mounting type: PCB
- Material of the core: ultramicrystal
- Flame resistance: UL94-V0
- Execution standard: GB20840-2014
- Operating temperature: -20°C ~ +70°C
- Storage temperature: -30°C ~ +80°C
- Frequency range: 20Hz-20KHz
- Dielectric strength: 2KV 50Hz 1min

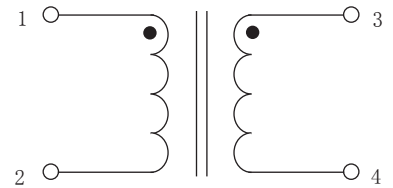
Electrical parameters: (The following parameters are typical values and actual values will be subject to product testing)

Model	TA16-01	TA16-02	TA16-03	Unit
Rated input	5	5	0.1	A
Rated output	5	2.5	2.5	mA
Turns ratio	1: 1000	1: 2000	20: 800	
Linearity	≤ 0.2	≤ 0.2	≤ 0.2	%
Sampling resistance	100	400	200	Ω
Weight	9			g

Product picture : (the printed words are for reference only, subject to the actual product)

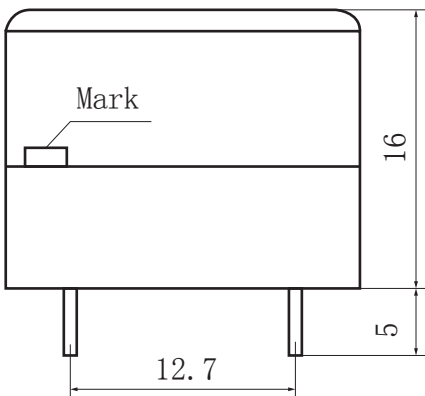


Schematic diagram:

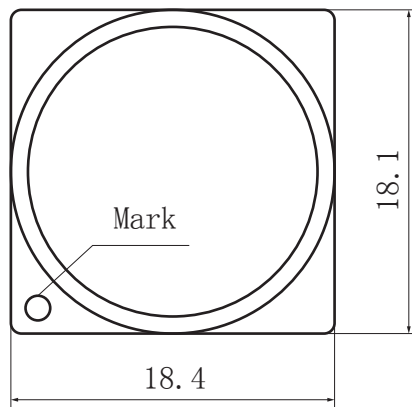


current output type
secondary is not allowed to open.

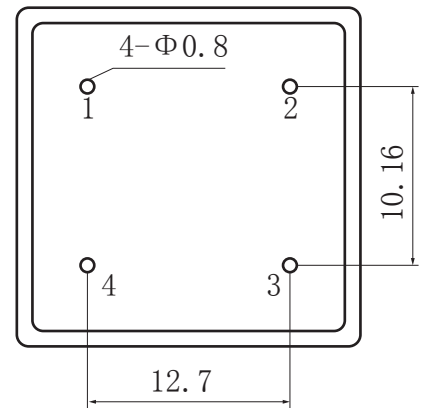
Dimensions (in mm±0.5) :



Front view



Top View



Bottom View