

TA1410 Primary core built-in type current transformer



Characteristics:

Epoxy potting, ultra-fine crystal core, small size, fully enclosed, remote monitoring of electrical load, As the input signal of electronic control system, phase loss indication, electric quantity measurement, motor running state monitoring.

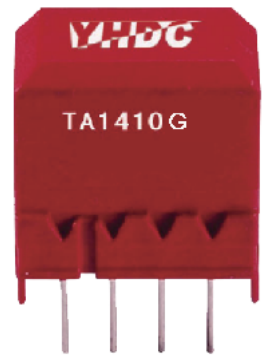
Technical index:

- Mounting type: PCB
- Material of the core: Nanocrystalline
- Flame resistance: UL94-V0
- Execution standard: GB20840-2014
- Operating temperature: $-20^{\circ}\text{C} \sim +70^{\circ}\text{C}$
- Storage temperature: $-30^{\circ}\text{C} \sim +80^{\circ}\text{C}$
- Frequency range: 20Hz-20KHz
- Dielectric strength: 2KV 50Hz 1min

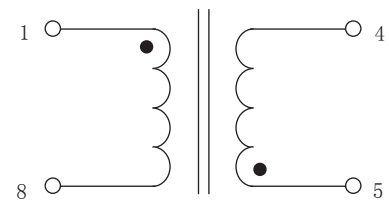
Electrical parameters: (The following parameters are typical values and actual values will be subject to product testing)

Model	TA1410G-01	TA1410G-02	TA1410G-03	TA1410G-04	Unit
Rated input	5	5	1	0.1	A
Rated output	5	2.5	5	2	mA
Turns ratio	1: 1000	1: 2000	5: 1000	10: 500	
Linearity	≤ 0.2	≤ 0.2	≤ 0.2	≤ 0.2	%
Sampling resistance	100	400	200	200	Ω
Weight	8				g

Product picture : (the printed words are for reference only, subject to the actual product)

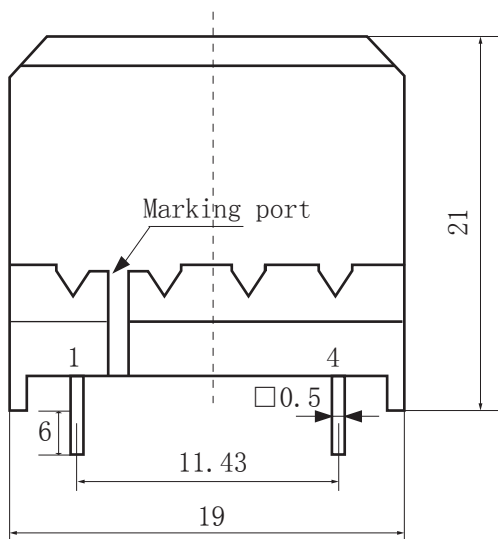


Schematic diagram:

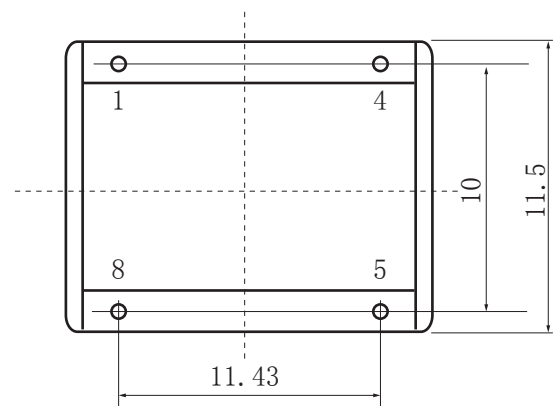


current output type.
the secondary is not allowed to open.

Dimensions (in mm ± 0.5) :



Front view



Bottom view