

# TA1410G Primary core built-in type current transformer **YHDC** 1992®

## Characteristics:

Epoxy potting, ultra-fine crystal core, small size, fully enclosed, remote monitoring of electrical load, As the input signal of electronic control system, phase loss indication, electric quantity measurement, motor running state monitoring.

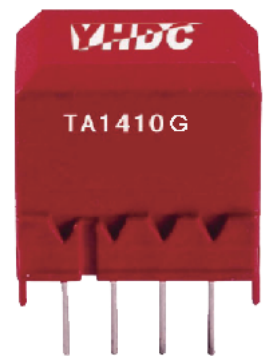
## Technical index:

Mounting type: PCB  
 Material of the core: Nanocrystalline  
 Flame resistance: UL94-V0  
 Execution standard: GB20840-2014  
 Operating temperature: -20°C ~ +70°C  
 Storage temperature: -30°C ~ +80°C  
 Frequency range: 20Hz-20KHz  
 Dielectric strength: 3KV 50Hz 1min

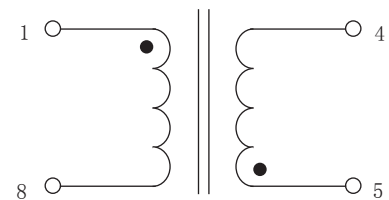
## Electrical parameters: ( The following parameters are typical values and actual values will be subject to product testing )

Model	TA1410G-01	TA1410G-02	TA1410G-03	TA1410G-04	Unit
Rated input	5	5	1	0.1	A
Rated output	5	2.5	5	2	mA
Turns ratio	1: 1000	1: 2000	5: 1000	10: 500	
Linearity	≤0.2	≤0.2	≤0.2	≤0.2	%
Sampling resistance	100	400	200	200	Ω
Weight	8				g

Product picture : (the printed words are for reference only, subject to the actual product)

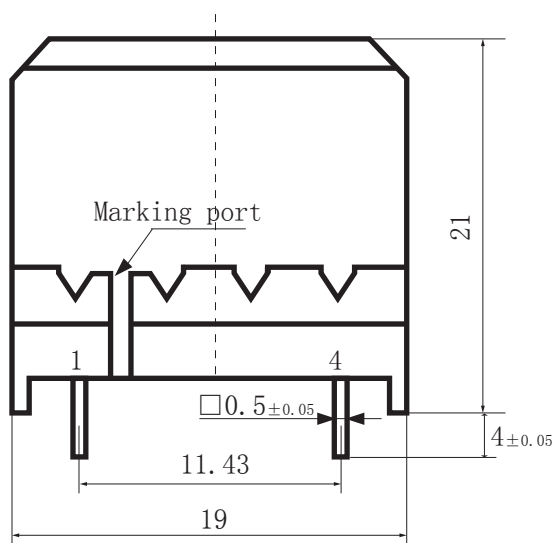


## Schematic diagram:

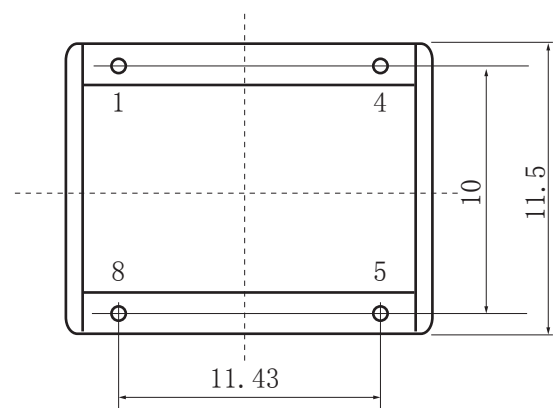


current output type.  
 the secondary is not allowed to open.

## Dimensions (in mm±0.5) :



Front view



Bottom view