

Characteristics:

Epoxy resin encapsulated, mini outline size, fully enclosed;
well replace foreign similar products.

Product picture :(the printed words are for reference only, subject to the actual product)

Technical index:

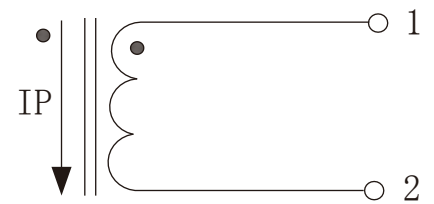
- Mounting type: PCB
- Material of the core: Silicon steel sheet
- Flame resistance: UL94-V0
- Execution standard: GB20840-2014
- Operating temperature: -35°C~+85°C
- Storage temperature: -45°C~+95°C
- Frequency range: 50Hz-60Hz
- Dielectric strength: $\geq 3.5KV$ 50Hz 1min



Electrical parameters: (The following parameters are typical values and actual values will be subject to product testing)

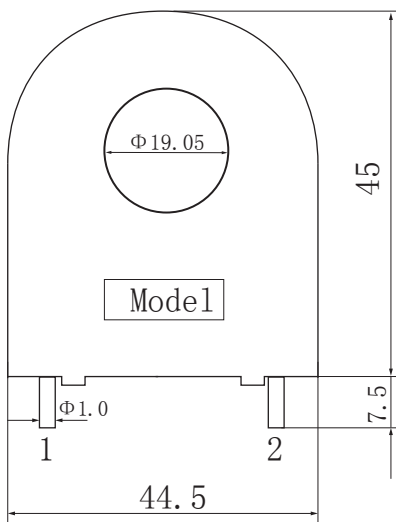
Model	TA1100	Unit
Rated input	100	A
Rated output	100	mA
Turns ratio	1: 1000	
Linearity	≤ 0.3	%
Sampling resistance	100	Ω
Weight	67	g

Schematic diagram:

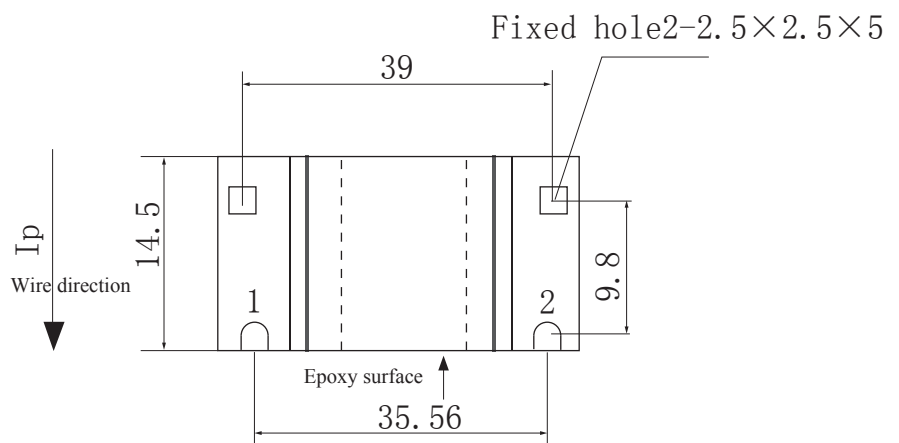


current output type.
the secondary is not allowed to open.

Dimensions (in mm ± 0.5) :



Front view



Bottom view