

IGBT、MOSFET Drive and signal isolation transmission transformer



Front view



Bottom view

Product application

- Aerospace equipment
- Medical equipment
- Power generation control equipment
- Vehicle control equipment
- Electric heating equipment
- Disaster prevention and anti-theft equipment
- Various safety devices
- Other special equipment

Product advantage

- Stability is good
- Low noise
- Strong triggering ability
- High cost performance

Product features

- Patch installation
- High instantaneous transmission power
- Small leakage sensitivity, stable output waveform
- Small coupling capacitance, strong anti-interference ability
- Small volume, beautiful appearance, easy to use

Typical technical index

- Insulation grade: B grade (130 °C)
- Operation temperature——-25 °C ~ +70 °C
- Work frequency——30KHz ~ 200KHz
- Fair resistance: with UL94-V0

Form test: Pri./Sec. 3KV AC/1min 5mA, 3KV AC/1 min 5mA

(The samples for it is destructive experiment of samples, not recommended for normal use)

Factory test: Pri./Sec. 3KV AC/1s 5mA, Sec./Sec. 3KV AC/1s 5mA.

Technical Parameters table

(The following parameters are typical values.The actual values shall be subject to the actual measurement of the product)

Note

model project data	SMD5046 -101	SMD5046 -201	SMD5046 -301	SMD5046 -111	SMD5046 -211	SMD5046 -311	Unit	
Vout microsecond integral	150	150	150	150	150	150	μV s	∫Udt=Input pulse amplitude * transmission pulse width
Input pulse amplitude	6	12	18	6	12	18	V	Standard input, can be customized according to user requirements
Amplitude of output pulse	≥5	≥5	≥5	≥5 *2	≥5 *2	≥5 *2	V	Standard output, can be customized according to user requirements
Trigger current Max	100	100	100	100	100	100	mA	The maximum
Change ratio	1:1	2:1	3:1	1:1:1	2:1:1	3:1:1		Standard products can be customized according to customer requirements
Load resistance	100	100	100	100	100	100	Ω	Simulation value
duty ratio	1:2	1:2	1:2	1:2	1:2	1:2		Factory test values can be customized according to user requirements
Pulse width	25	12	8	25	12	8	μs	Factory test value for reference only
Main circuit maximum operating voltage	380	380	380	380	380	380	V	Generally, it is 1/5~1/7 of the electrical strength
Weight	3	3	3	3	3	3	g	For reference only

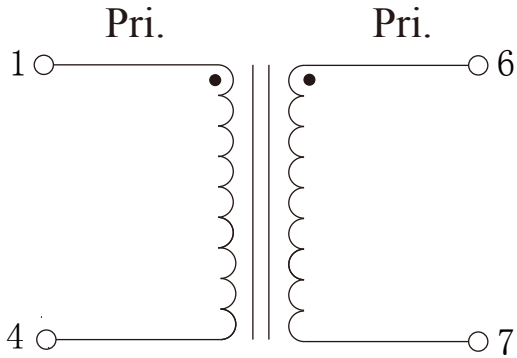
NOTE: D=1:2 duty ratio 1: 2
high-level account for 1/3 cycle



Statement:

As a result of our products have been continuously Improve and renew, therefore we reserve at any time Modify the content of this specification without separate The right to notify.

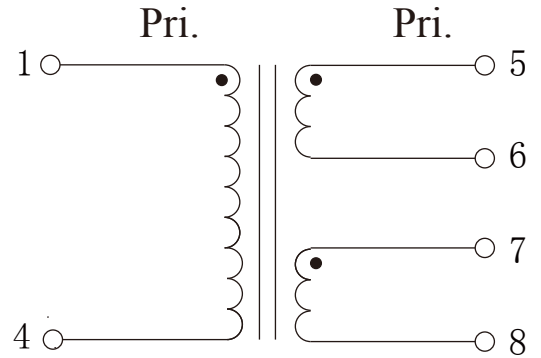
Standard product wiring diagram:



- Represents the same name end

Single output

2, 3, 5, 8 are empty needles

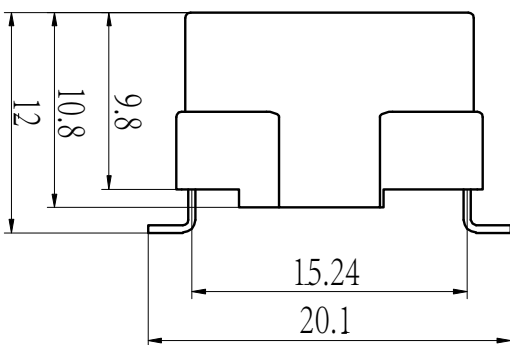


- Represents the same name end

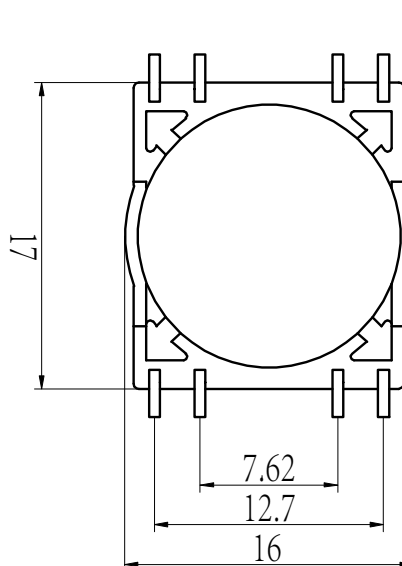
Double output

2, 3, are empty needles

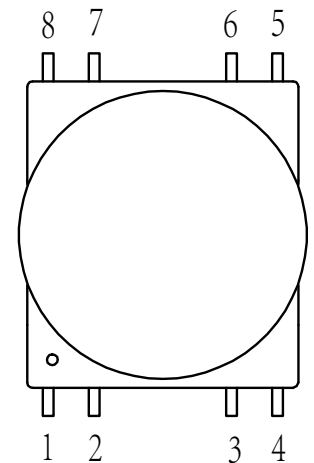
Outline size: (in:mm)



Front view



Bottom view



Top View