

Model: SCT030HN

Characteristics:

Hand-held type, leading wire output, output connector is audio jack(can design according to clients requirements).
 built-in TVS.Purpose: Applicable for the current measuring monitoring and protection of AC motor, lighting equipment and air compressor.



Technical index:

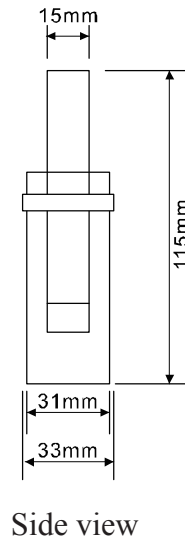
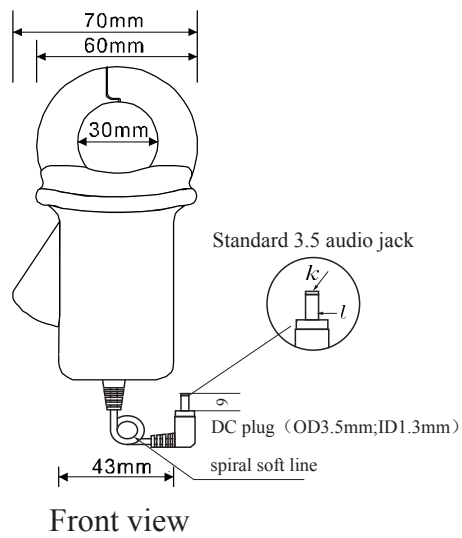
Flame resistance: UL94-V0
 Standard:GB1208-2006
 Operating temperature:-25℃~+70℃
 Storage temperature:-30℃~+90℃
 Work voltage:720V
 Frequency range:20Hz-20KHz
 Dielectric strength:3.5KV 50Hz 1min

Electric parameters:

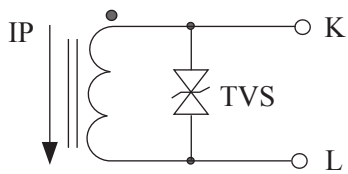
Model	Input current	Max.Input	output	Turns ratio	Accuracy	linearity	Phase error	max:Sampling resistance	Weight
SCT030HN	50A	64A	20mA	1:2500	1%	1%	40'	40'	104g
SCT030HN	60A	77A	20mA	1:3000	1%	1%	40'	40'	104g
SCT030HN	70A	90A	20mA	1:3500	1%	1%	40'	40'	104g
SCT030HN	80A	100A	20mA	1:4000	1%	1%	40'	40'	104g

Model	SCT030HN					
Rated Input(Effective value)	10	20	30	50	80	A
measurement range	20%~120%					A
Rated output	0.333					V
Accuracy	1					%
Linearity	1					%
Frequency	20~20K					Hz
weight	104					g
Order format:	model	Input	output	Accuracy		
	SCT030HN/xxA/0.333V/1%					
Note: Rated input current within 80A is standard						

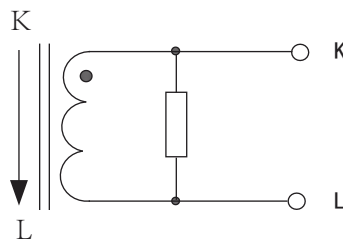
Dimensions (in mm±0.5):



Schematic diagram:



Built-in two-way protection diode
Current output type



Voltage output type : Built-in with sampling resistance
Voltage output type : not allowed secondary short circuit.