

## Model: SCT030HN

### Characteristics:

Hand-held type, leading wire output, output connector is audio jack(can design according to clients requirements).  
 built-in TVS.Purpose: Applicable for the current measuring monitoring and protection of AC motor, lighting equipment and air compressor.



### Technical index:

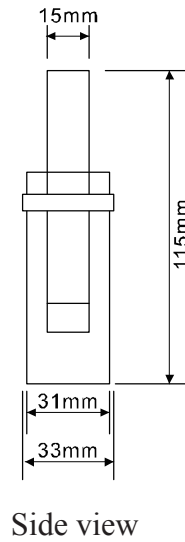
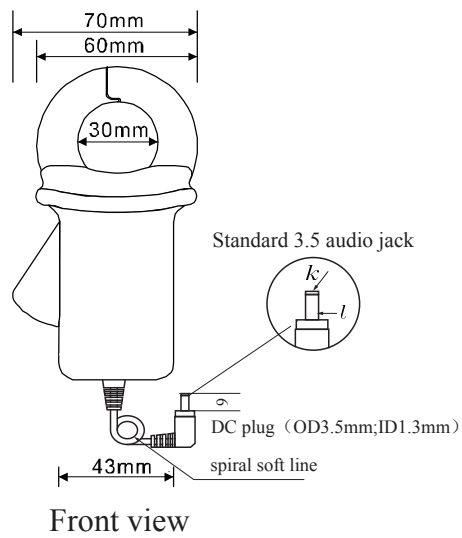
Flame resistance: UL94-V0  
 Standard:GB1208-2006  
 Operating temperature:-25℃~+70℃  
 Storage temperature:-30℃~+90℃  
 Work voltage:720V  
 Frequency range:20Hz-20KHz  
 Dielectric strength:3.5KV 50Hz 1min

### Electric parameters:

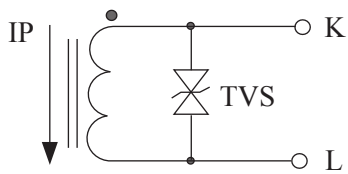
| Model    | Input current | Max.Input | output | Turns ratio | Accuracy | linearity | Phase error | max:Sampling resistance | Weight |
|----------|---------------|-----------|--------|-------------|----------|-----------|-------------|-------------------------|--------|
| SCT030HN | 50A           | 64A       | 20mA   | 1:2500      | 1%       | 1%        | 40'         | 40'                     | 104g   |
| SCT030HN | 60A           | 77A       | 20mA   | 1:3000      | 1%       | 1%        | 40'         | 40'                     | 104g   |
| SCT030HN | 70A           | 90A       | 20mA   | 1:3500      | 1%       | 1%        | 40'         | 40'                     | 104g   |
| SCT030HN | 80A           | 100A      | 20mA   | 1:4000      | 1%       | 1%        | 40'         | 40'                     | 104g   |

| Model  | SCT030HN |    |    |    |    |    |
|--|----------|----|----|----|----|----|
| Rated Input(Effective value)                     | 10       | 20 | 30 | 50 | 80 | A  |
| measurement range                                | 20%~120% |    |    |    |    | A  |
| Rated output                                     | 0.333    |    |    |    |    | V  |
| Auaccuracy                                       | 1        |    |    |    |    | %  |
| Linearity  | 1        |    |    |    |    | %  |
| Frequency  | 20~20K   |    |    |    |    | Hz |
| weight   | 104      |    |    |    |    | g  |
| Order format: model Input output Auaccuracy      |          |    |    |    |    |    |
| SCT030HN/xxA/0.333V/3%                           |          |    |    |    |    |    |
| Note: Rated input current within 80A is standard |          |    |    |    |    |    |

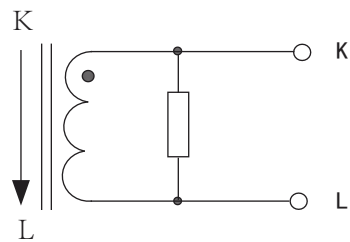
Dimensions (in mm±0.5):



Schematic diagram:



Built-in two-way protection diode  
Current output type



Voltage output type : Built-in with sampling resistance  
Voltage output type : not allowed secondary short circuit.