

# Split core current transformer



Model: SCT027HN

## Characteristic:

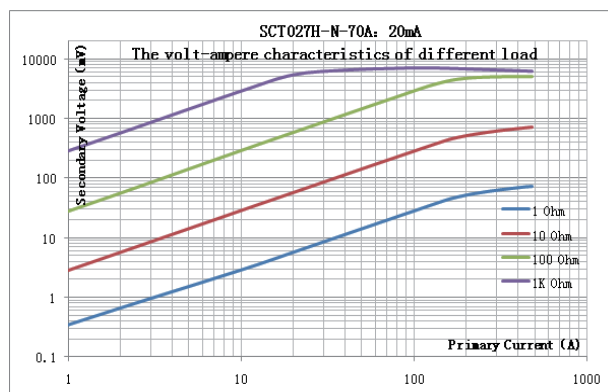
Hand-held type, leading wire output, output connector is audio jack(can design according to clients requirements).  
built-in TVS.Purpose: Applicable for the current measuring monitoring and protection of AC motor, lighting equipment and air compressor.



## Technical indicators:

- Fire resistance property: UL94-V0
- Standard: GB1208-2006
- Work temperature:  $-25^{\circ}\text{C} \sim +70^{\circ}\text{C}$
- Storage temperature:  $-30^{\circ}\text{C} \sim +90^{\circ}\text{C}$
- Work voltage: 720V
- Frequency range: 20Hz-20KHz
- Dielectric strength: 3.5KV 50Hz 1min

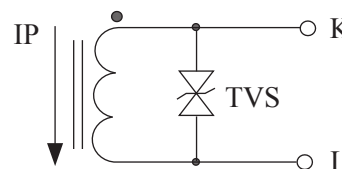
## Characteristic curve in different load volt-ampere:



## Electric parameter:

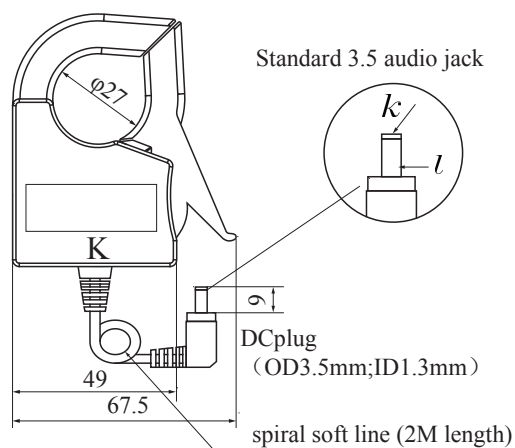
Rated input(rms)	70	A
Max.Input	90	A
Rated output	20	mA
Turns ratio	1:3500	
Accuracy	$\pm 1$	%
Linearity	1	%
Phase error		
max:Sampling resistance	10	$\Omega$
Weight	104	g

## Wiring diagram:

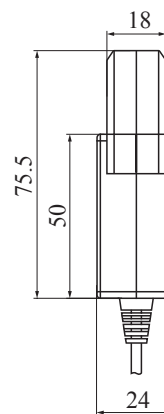


Built-in two-way protection diode current output type

## Outline size diagram(in mm):



Front view



Side view