

Φ23mm Aperture Split core current transformer



Product features

- Secure locking buckle, easy to install
- Lead wire type output
- the length can be customized
- Suspended mounting

Product application

- Portable instrument
- Household metering
- Monitoring the load of machine

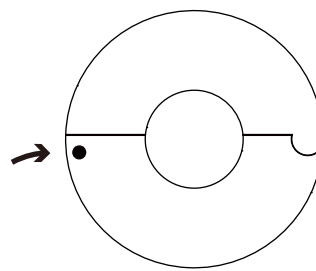
Product advantage

- Small volume,
- Low cost
- High turns, High precision

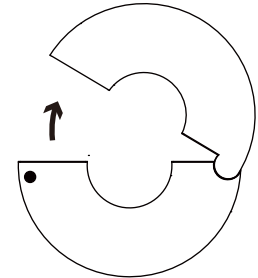
Installation diagram

Primary threading method

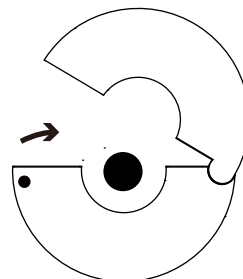
Firing line



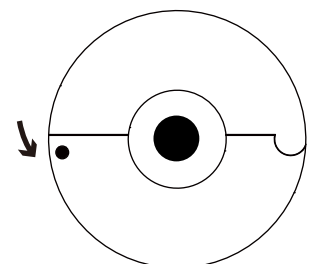
1. Open the buckle



2. Open upward



3. Put in lead wire



4. Fasten the buckle

Typical technical index:

- Material of core——Silicon steel sheet
- Working voltage——Phase voltage $\leq 720V$
- Working temperature—— $-30^{\circ}C \sim +65^{\circ}C$
- Storage temperature—— $-40^{\circ}C \sim +85^{\circ}C$
- Frequency range—— $50Hz \sim 60Hz$
- Dielectric strength——Input (bare conductor) /output AC 800V/1min 5mA 50Hz
Output/Outer shell AC 3.5KV/1min 5mA 50Hz)
- Weight————103g

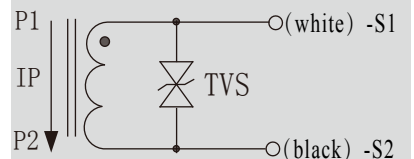
Electrical parameters (The following parameters are typical values. The actual values shall be subject to the actual measurement of the product)

Model	Input current	Output voltage	Load resistance	Accuracy	sampling resistance
SCT023R	100A	50mA	1:2000	0.5%	50 Ω
SCT023R	100A	80mA	1:1250	0.5%	20 Ω
SCT023R	100A	100mA	1:1000	0.5%	10 Ω
SCT023R	200A	50mA	1:4000	0.5%	80 Ω
SCT023R	200A	80mA	1:2500	0.5%	30 Ω
SCT023R	200A	100mA	1:2000	0.5%	20 Ω
SCT023R	300A	50mA	1:6000	0.5%	80 Ω
SCT023R	300A	80mA	1:3750	0.5%	30 Ω
SCT023R	300A	100mA	1:3000	0.5%	20 Ω
SCT023R	400A	50mA	1:8000	0.5%	100 Ω
SCT023R	400A	80mA	1:5000	0.5%	40 Ω
SCT023R	400A	100mA	1:4000	0.5%	25 Ω

Lead specification/schematic diagram

Leading wire specification:
AWG22
0.3mm² Black and white twisted pair

lead length :
145cm~150cm

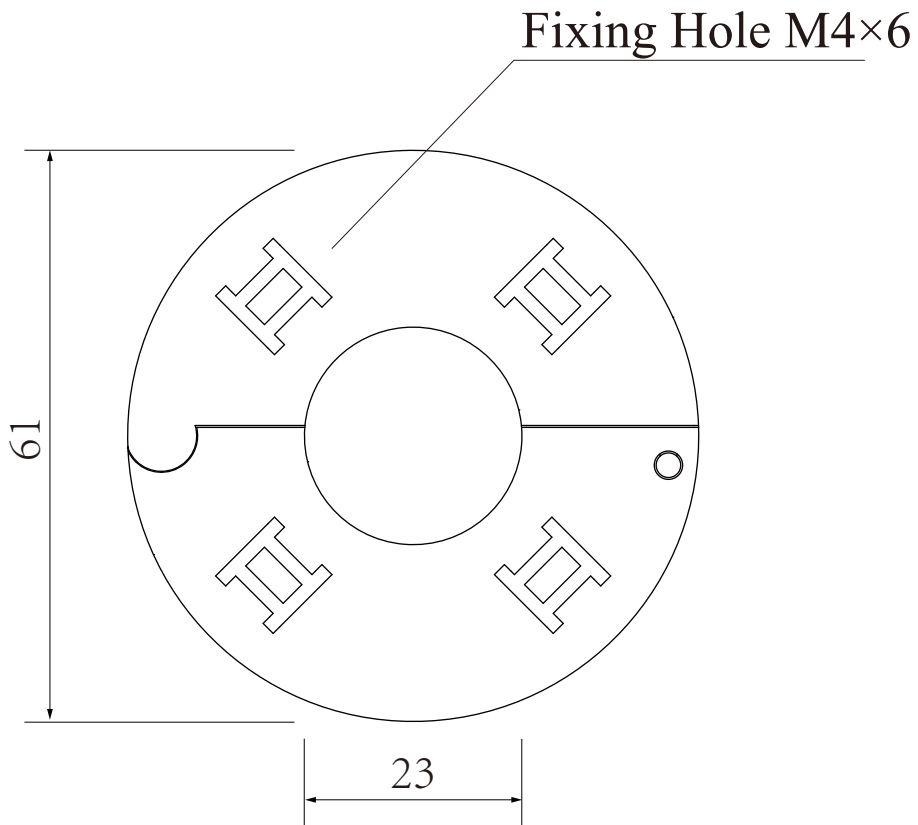


TVS: Transient voltage suppressor
current output type.
the secondary is not allowed to open.

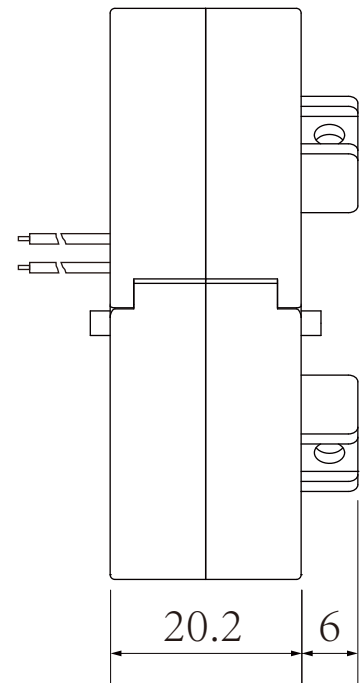
statement:

As our products are constantly being improved and updated, we reserve the right to modify the content of this specification at any time without prior notice.

Outline size : (in:mm±0.5)



Front view



Side view