

Φ18mm Aperture Split core current transformer



Front view



Opening and closing the view

Product features

- Secure locking buckle, easy to install
- Lead wire type output
- the length can be customized
- Suspended mounting

Product application

- Portable instrument
- Household metering
- Monitoring the load of machine

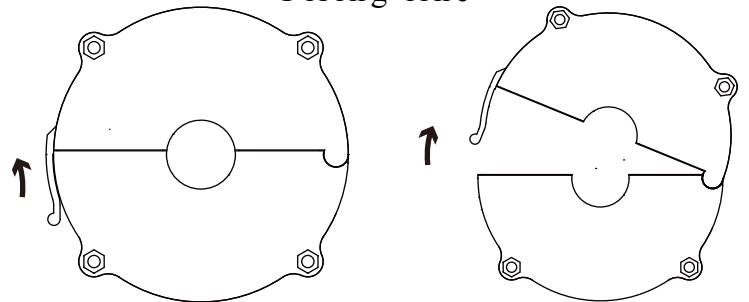
Product advantage

- Small volume,
- Low cost
- High turns, High precision

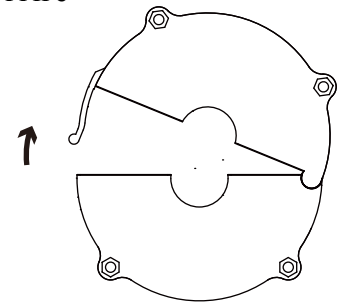
Installation diagram

Primary threading method

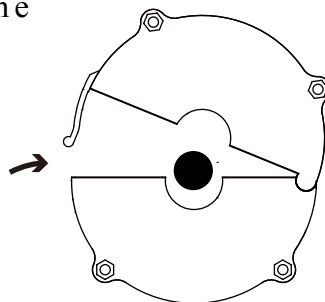
Firing line



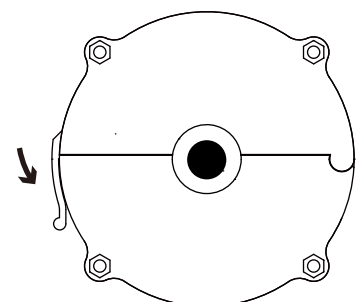
1. Open the buckle



2. Open upward



3. Put in lead wire



4. Fasten the buckle

Typical technical index:

- Material of core——Silicon steel sheet
- Working voltage——Phase voltage $\leq 720V$
- Working temperature—— $-20\text{ }^{\circ}C \sim +60\text{ }^{\circ}C$
- Storage temperature—— $-30\text{ }^{\circ}C \sim +90\text{ }^{\circ}C$
- Frequency range—— $50Hz \sim 60Hz$
- Dielectric strength——Input (bare conductor) /output AC 800V/1min 5mA 50Hz
Output/Outer shell AC 3.5KV/1min 5mA 50Hz)
- Weight———542g

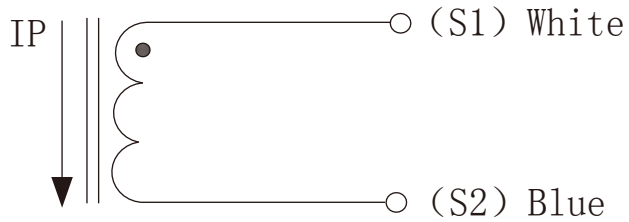
Electrical parameters (The following parameters are typical values. The actual values shall be subject to the

Overload ratio:1.2 multiples

	Input current A	Output current A	Rated output power VA				Number of turns through the core
			0.5Level	1Level	3Level	5Level	
SCT018R	50A	5A	-	-	1.5	1.5	1
	75A	5A	-	0.5	1.5	-	1
	100A	5A	0.1	0.5	1.5	-	1
	150A	5A	0.1	0.5	1.5	-	1
	200A	5A	0.1	0.5	1.5	-	1

*Can be customized parameters/lead length according to customer requirements

schematic diagram:

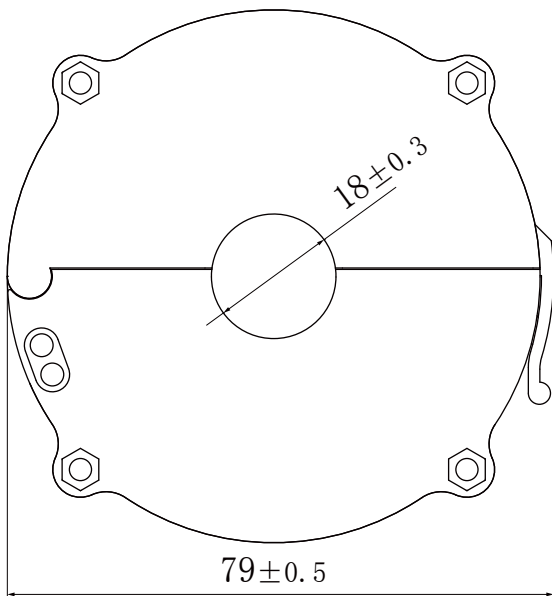


current output type.
the secondary is not allowed to open.

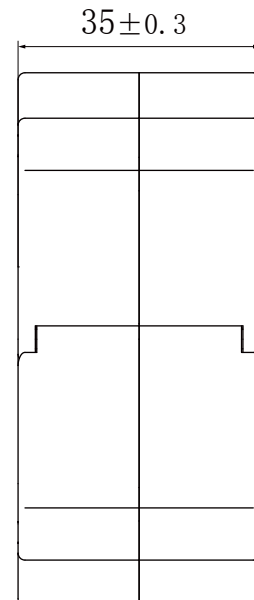
Leading wire specification:

Leading wire specification:
1.5mm² Blue and white twisted pair
Lead length: 1m
Lead color: Blue, White

Dimensions: (in:mm±0.5)



Front view



Side view