

Φ 16mm Aperture Split core current transformer



Front view



Opening view



Bottom view

Characteristic

- Safety lock buckle, easy to install
- Built-in over-voltage protection device (TVS tube)
- Lead type output, length can be customized
- Suspended type

Product application

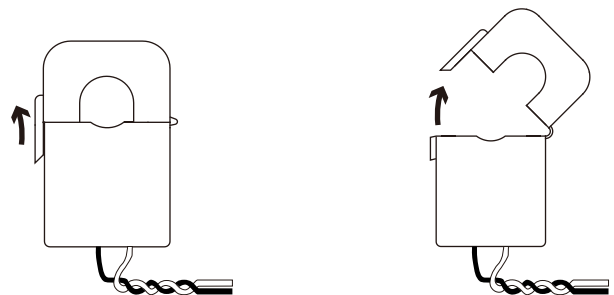
- Portable instrument
- Household metering
- Monitor motor load

Product advantage

- Small volume, Light weight
- Low cost
- High turns, High precision

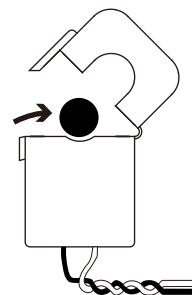
Installation diagram

Primary threading method (Firing line)

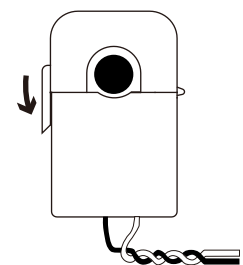


1. Open the buckle

2. Open upward



3. Put in lead wire



4. Fasten the buckle

Typical technical index:

- Material of core——Ferrite
- Working voltage——Phase voltage $\leq 720V$
- Working temperature—— $-25^{\circ}C \sim +60^{\circ}C$
- Storage temperature—— $-30^{\circ}C \sim +90^{\circ}C$
- Frequency range—— $50Hz \sim 1KHz$
- Dielectric strength——Input (bare conductor) /output AC 800V/1min 5mA 50Hz
Output/Outer shell AC 3.5KV/1min 5mA 50Hz

Electrical parameters: (The following parameters are typical values and actual values will be subject to product testing)

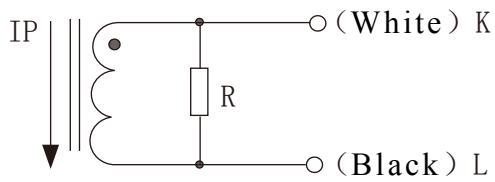
Max. Input 160A

Model	Input current	Output	Turns ratio	Load resistance	Accuracy	Linearity	Weight
SCT016	10A	10mA	1: 1000	10 Ω	1%	1%	70g
SCT016	50A	50mA	1: 1000	10 Ω	1%	1%	70g
SCT016	50A	25mA	1: 2000	10 Ω	1%	1%	70g
SCT016	100A	100mA	1: 1000	10 Ω	1%	1%	70g
SCT016	100A	50mA	1: 2000	10 Ω	1%	1%	70g
SCT016	100A	33mA	1: 3000	10 Ω	1%	1%	70g
SCT016	100A	20mA	1: 5000	10 Ω	1%	1%	70g
SCT016	120A	60mA	1: 2000	10 Ω	1%	1%	70g
SCT016	120A	40mA	1: 3000	10 Ω	1%	1%	70g

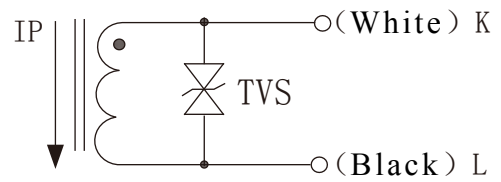
Model	Input current	Output	Turns ratio	Load resistance	Accuracy	Linearity	Weight
SCT016	10A	0.333V	-	built-in	1%	1%	70g
SCT016	30A	0.333V	-	built-in	1%	1%	70g
SCT016	50A	0.333V	-	built-in	1%	1%	70g
SCT016	80A	0.333V	-	built-in	1%	1%	70g
SCT016	100A	0.333V	-	built-in	1%	1%	70g
SCT016	120A	0.333V	-	built-in	1%	1%	70g

***Can be customized parameters/lead length/lead specifications according to user requirements.**

Wiring schematic diagram:



Built-in sampling resistance
Voltage output type
Secondary doesn't allow short circuit



TVS: Transient voltage suppressor
Current output type
Secondary doesn't allow open circuit

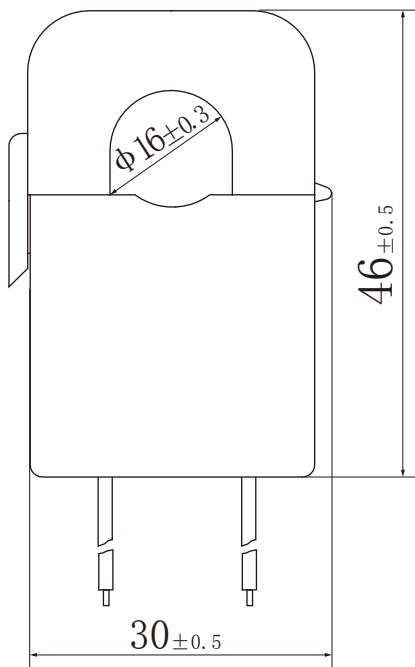
Cable (AWG22) :

Specifications of lead wire: 0.3mm² Black and white twisted pair

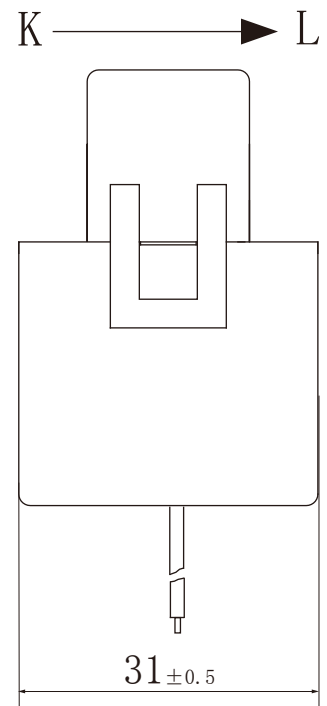
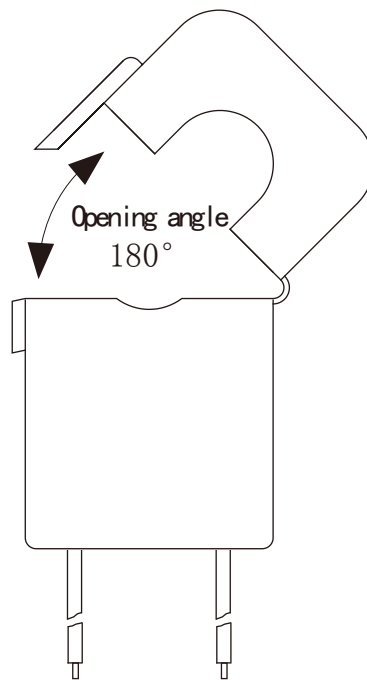
The length of lead wire: 50cm

color of lead wire: White, Black

Outline size: (in:mm)



Front view



Side view